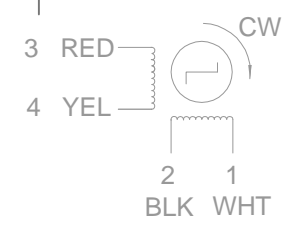
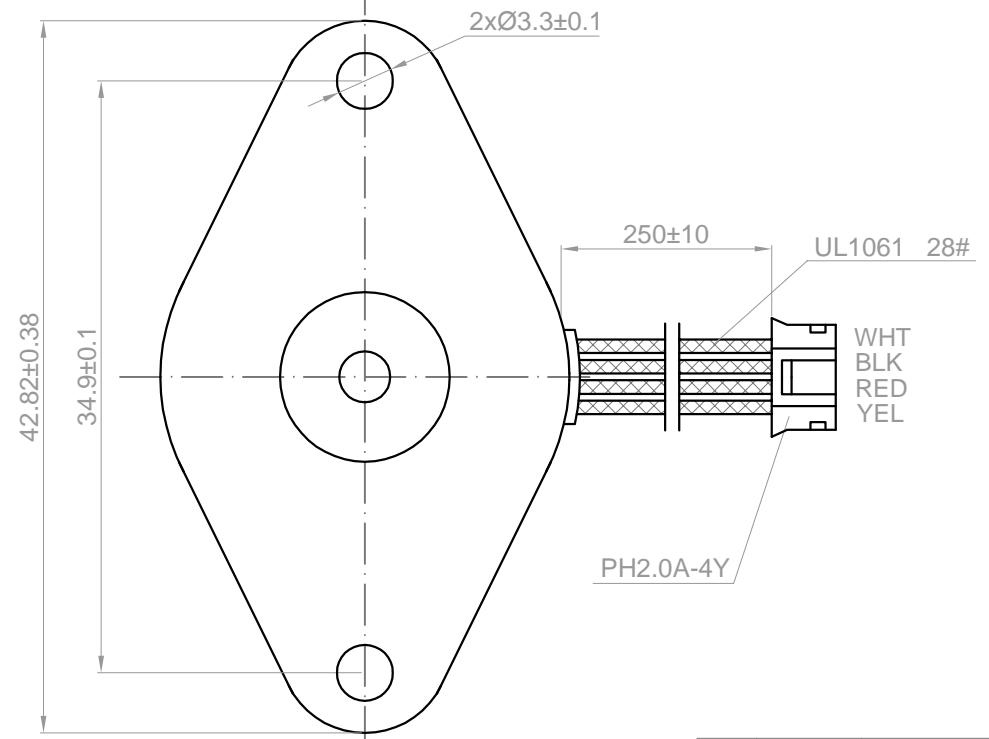
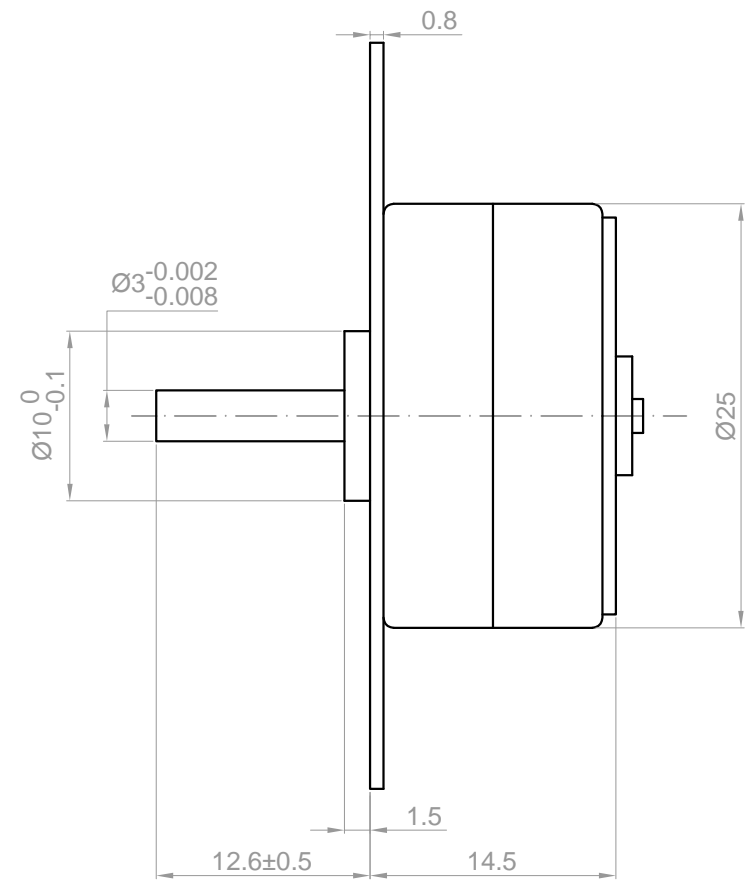


Rev.	Description	Date
01	Release for Production	08/09/2012



Pin No.	Wire Color	Step			
		1	2	3	4
1	WHT			-	-
2	BLK	-	-		
3	RED	-			-
4	YEL		-	-	
5					
6					

NO.	Item	Specification	NO.	Item	Specification
1	Step Angle	7.5°±7%	8	Holding Torque	>160g.cm
2	Rated Voltage	12 V	9	Insulation Class	B
3	No.of Step Per Revolution	48	10	Detent Torque	<35g.cm
4	Resistance Per Phase	50Ω ±7% <20°C>	11	Rotor Inertia	<1.0g.cm²
5	Inductance Per Phase		12	Operating Temp Range	-10~65°C
6	No. of Phase	2	13	Pull-in Torque	40g.cm <200pps>
7	Current Per Phase	0.24A	14	Pull-in Rate	800pps MIN

Drawn	Feny	08/09/2012
Checked	Sara	08/09/2012
Eng Appr.		
Mfg Appr.		
Q.A.		
SKU	1133009	

**Kysan Electronics**

www.kysanelectronics.com

info@kysanelectronics.com

Size : A4  
Scale: 5:1

Weight(g): 30

Unit: mm  
Sheet 1 of 1