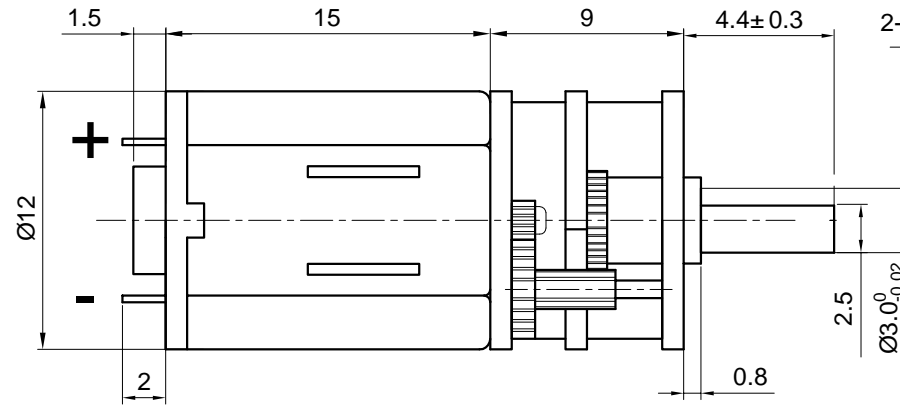
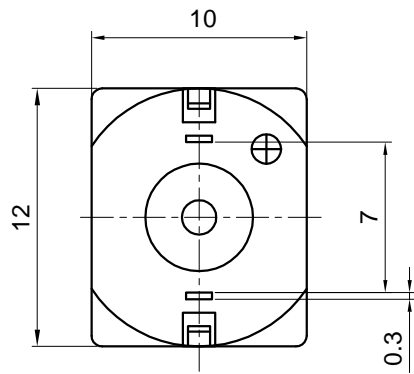
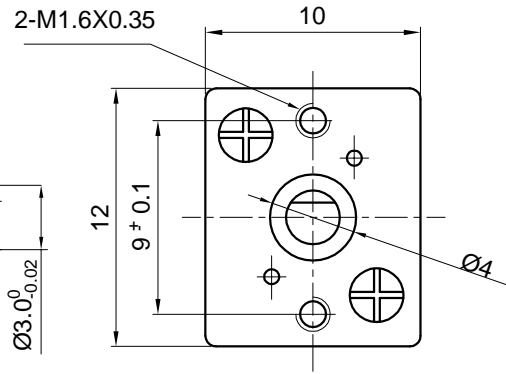


NO.	ITEM	SPECIFICATION
1	Rated Voltage (VDC)	5
2	Speed No Load (RPM)	115
3	Gear Ratio	150:1

Rev.	Revision	Date
01	Update	1/21/2011



DIRECTION OF ROTATION



DRAWN	Gordon	1/21/2011
CHECKED	Sara	1/21/2011
ENG APPR.		
MFG APPR.		
Q.A.		

UNIT: mm

Kysan Electronics

A12FT-5V115RPM	SIZE A4	Kysan SKU 1150218	REV 01
	SCALE: 4:1	Weight(kg): 0.015	SHEET 1 OF 1