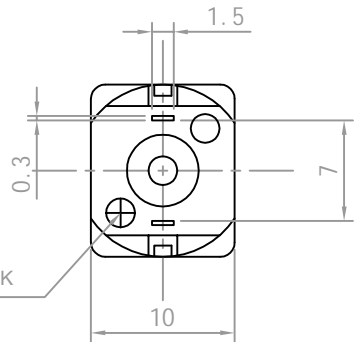
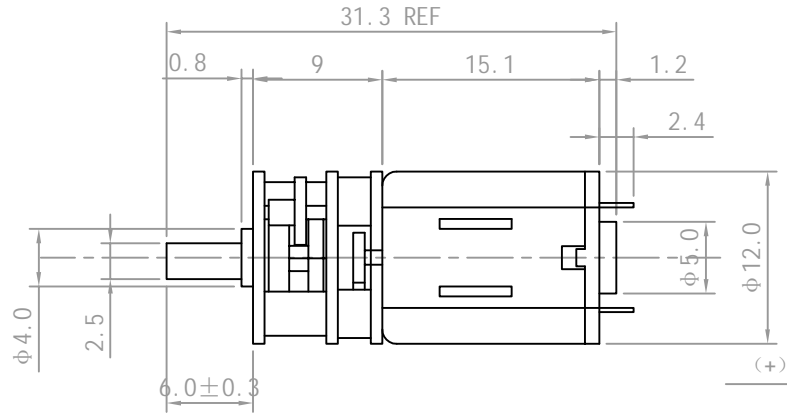
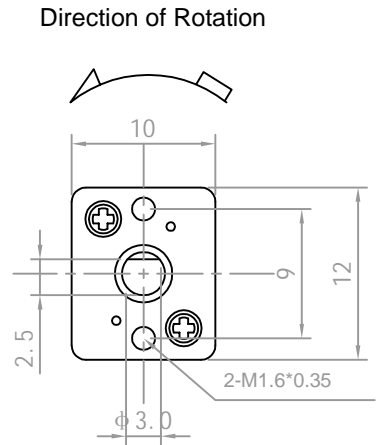


Rev.	Description	Date
01		



No.	Item	Specification	No.	Item	Specification
1	Rated Voltage	3.6 V DC	7	Stall Current	≤370mA
2	Rated Load	100g-cm	8	Stall Torque	≥ 400g. cm
3	No Load Speed	112RPM±10%	9	Gear Ratio	100:1
4	No Load Current	≤50mA	10	Direction of Rotation	CCW
5	Load Speed	95RPM±10%			
6	Load Current	≤90mA			

Drawn	Bruce	10/23/2017	<b>Unit: mm</b> <b>Kysan Electronics</b> www.kysanelectronics.com info@kysanelectronics.com		
Checked	Eva	10/23/2017			
Eng Appr.					
Mfg Appr.					
Q.A.					
<b>SKU:</b> 1150220			Size :A4	Weight(g): 9.2g	
			Scale 2:1		