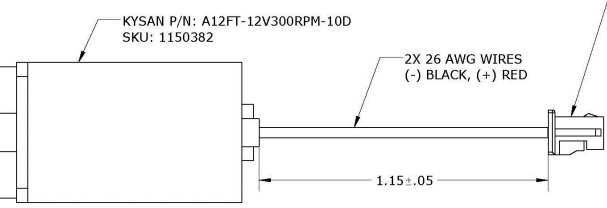
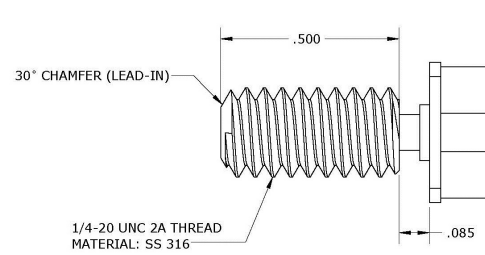
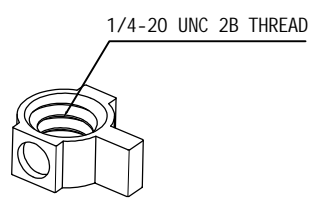
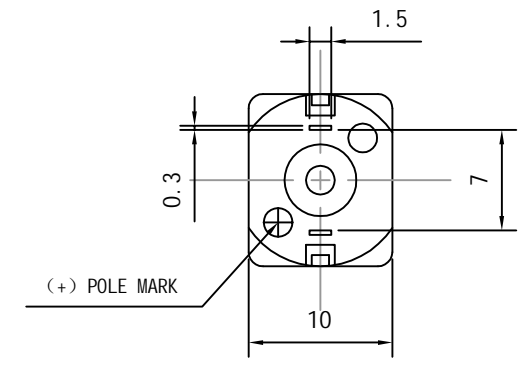
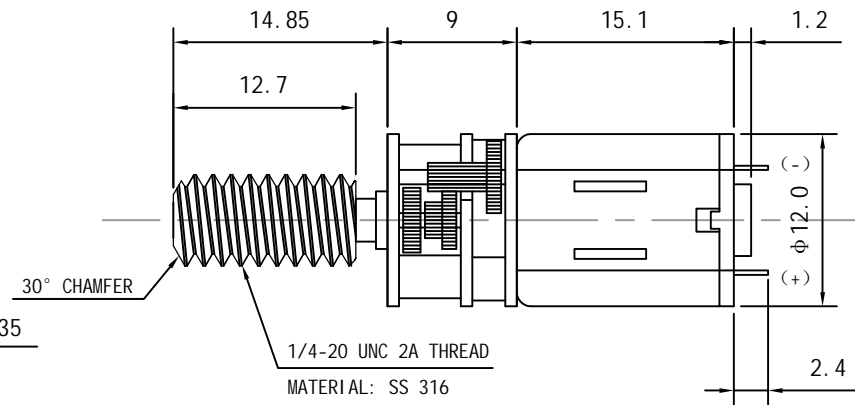
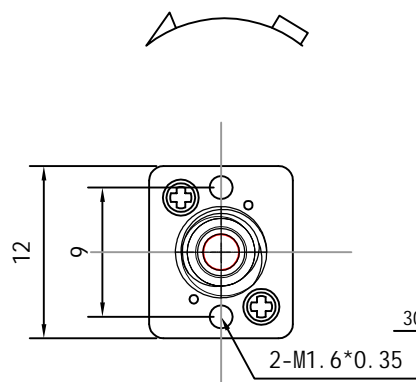


8 7 6 5 4 3 2 1

Direction of Rotation



CONNECTOR:  
MOLEX P/N 51021-0200  
(HES P/N 3000009.027)  
TERMINAL:  
MOLEX P/N 0500798000  
(HES P/N 3000037.012)

PIN 1, RED WIRE (+)  
PIN 2, BLACK WIRE (-)

No.	Item	Specification	No.	Item	Specification
1	Rated Voltage	12V DC	7	Gear Ratio	100:1
2	Rated Load	300g.cm	8	Direction Of Rotation	CCW
3	No Load Current	≤70mA	9		
4	No Load Speed	300RPM	10		
5	Rated Load Current	≤140mA	11		
6	Rated Load Speed	235RPM			

Drawn	Bruce	07/03/2023	Unit: mm	
Checked	Eva	07/03/2023	<b>Kysan Electronics</b> <a href="http://www.kysanelectronics.com">www.kysanelectronics.com</a>	
Eng Appr.				
Mfg Appr.				
Q.A.				
SKU: 1150225			Size :A4	Weight(Kg):
			Scale :	

8 7 6 5 4 3 2 1