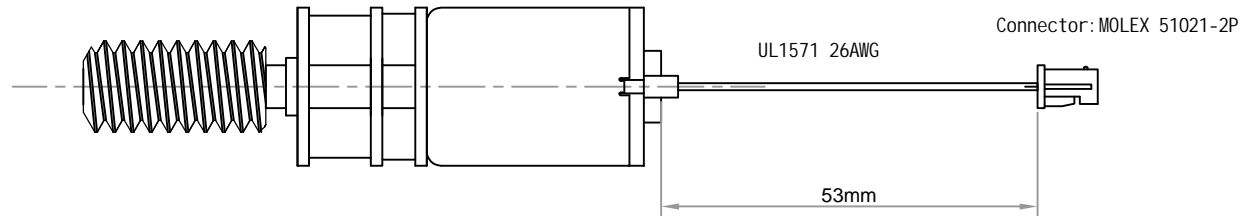
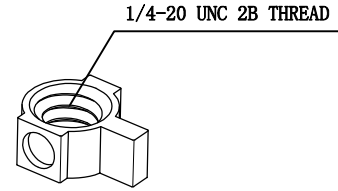
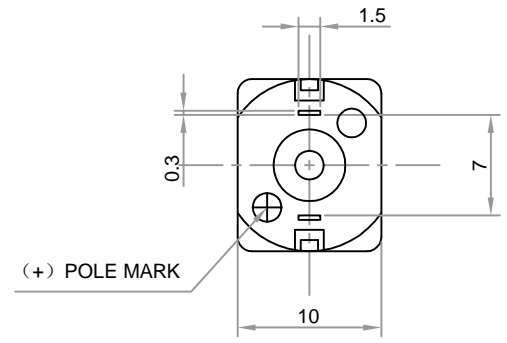
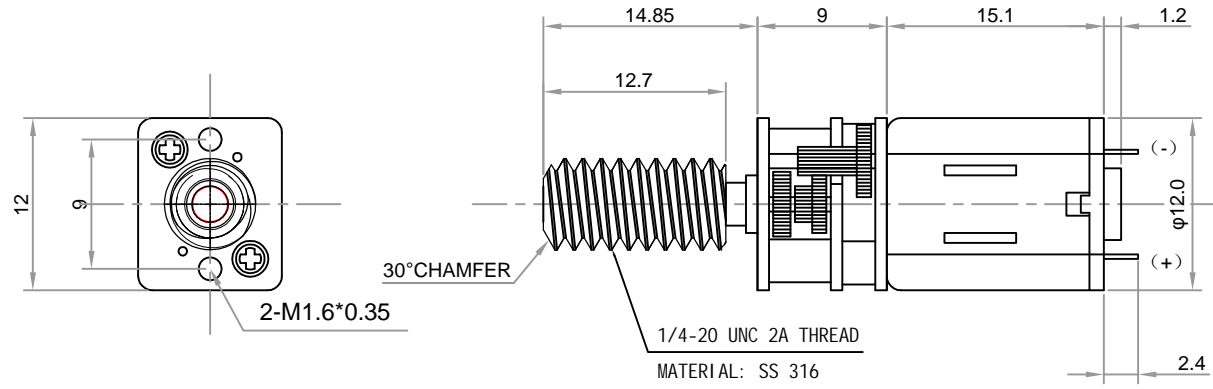


8 7 6 5 4 3 2 1

Direction of Rotation



No.	Item	Specification	No.	Item	Specification
1	Rated Voltage	12.0V DC	7	Dirction Of Rotation	CW
2	Starting Voltage	3.0V DC	8	Gear Ratio	150:1
3	Starting Current	260mA	9		
4	No Load Current	≤30mA	10		
5	No Load Speed	100±10%RPM	11		
6	Stall Torque	≥800g.cm			

Drawn	Bruce	10/25/2023	Unit: mm	
Checked	Eva	10/25/2023	<b>Kysan Electronics</b> www.kysanelectronics.com	
Eng Appr.				
Mfg Appr.				
Q.A.				
<b>SKU:</b> 1150231			Size :A4	Weight(Kg):
			Scale :	

8 7 6 5 4 3 2 1