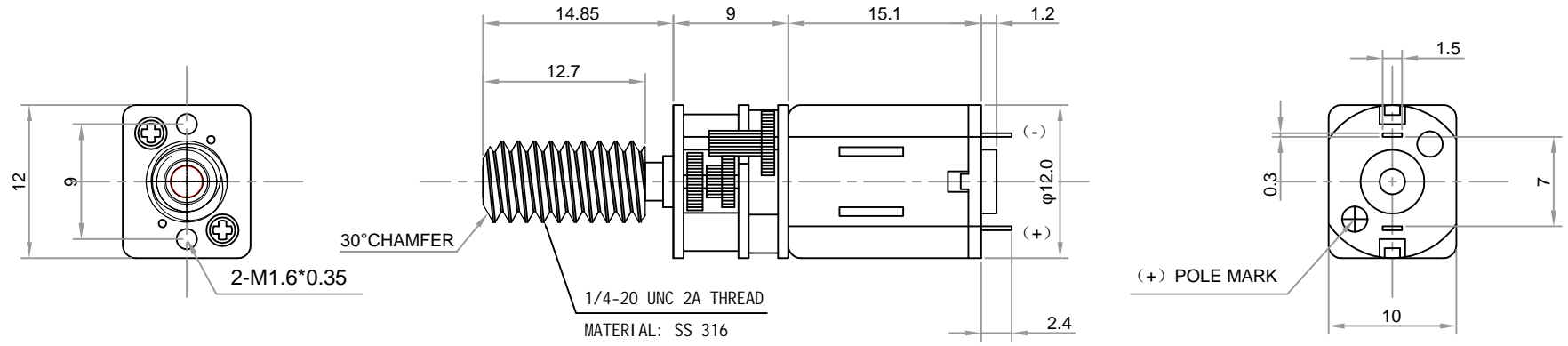
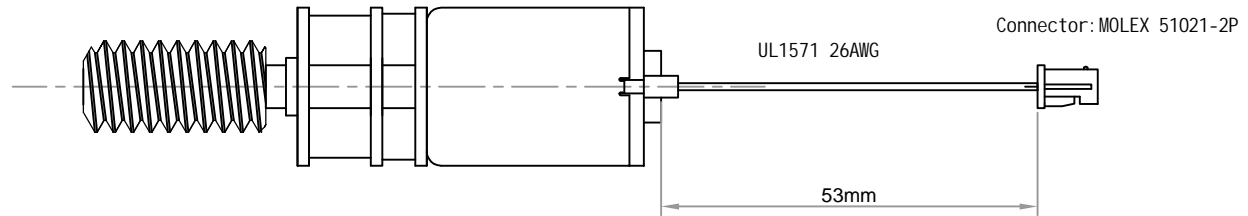
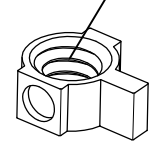


8 7 6 5 4 3 2 1

Direction of Rotation



1/4-20 UNC 2B THREAD



| No. | Item | Specification | No. | Item | Specification |
|-----|------------------|-------------------|-----|----------------------|---------------|
| 1 | Rated Voltage | 12.0V DC | 7 | Dirction Of Rotation | CW |
| 2 | Starting Voltage | 3.0V DC | 8 | Gear Ratio | 210:1 |
| 3 | Starting Current | 280mA | 9 | | |
| 4 | No Load Current | ≤ 30 mA | 10 | | |
| 5 | No Load Speed | $75 \pm 10\%$ RPM | 11 | | |
| 6 | Stall Torque | ≥ 1200 g.cm | | | |

| Drawn | Bruce | 10/25/2023 | Unit: mm | |
|--------------|-------|------------|--|-------------|
| Checked | Eva | 10/25/2023 | Kysan Electronics www.kysanelectronics.com | |
| Eng Appr. | | | | |
| Mfg Appr. | | | | |
| Q.A. | | | | |
| SKU: 1150232 | | | Size :A4 | Weight(Kg): |
| | | | Scale : | |

8 7 6 5 4 3 2 1