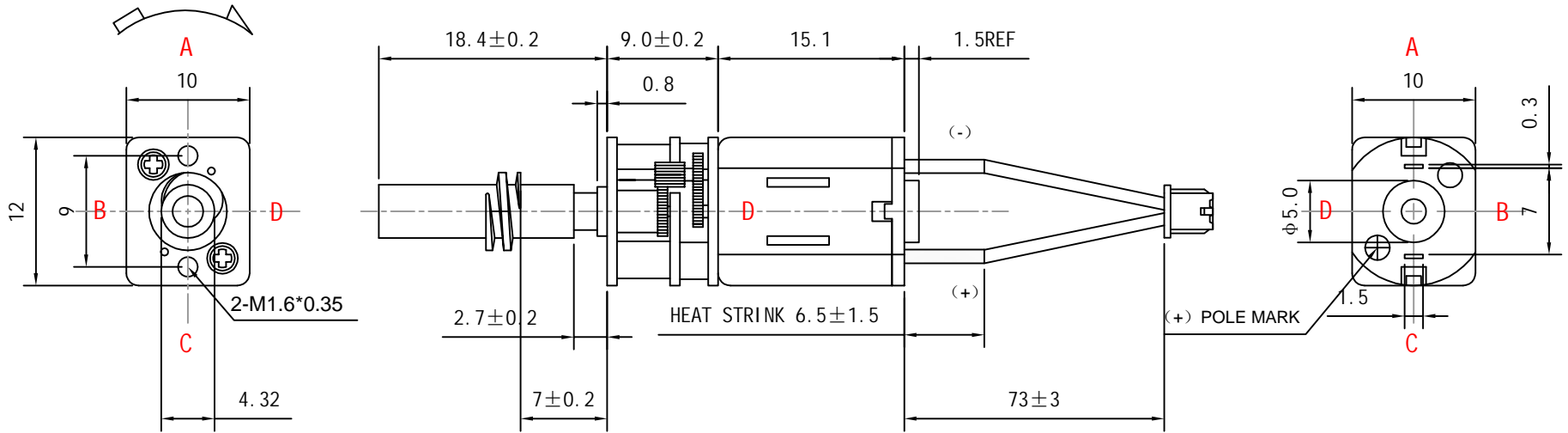


Direction of Rotation



No.	Item	Specification	No.	Item	Specification
1	Rated Voltage	5V DC	7	Rated Speed	950±10%RPM
2	Starting Voltage	1.5V MAX	8	Gear Ratio	10:1
3	No Load Current	70mA MAX	9	Direction Of Rotation	CW
4	No Load Speed	1350±10%RPM	10		
5	Rated Load	18g.cm	11		
6	Rated Current	140mA MAX			

Drawn	Bruce	06/26/2023	Unit: mm		
Checked	Eva	06/26/2023	Kysan Electronics www.kysanelectronics.com		
Eng Appr.					
Mfg Appr.					
Q.A.					
SKU: 1150318			Size :A4	Weight(Kg):	
			Scale :		