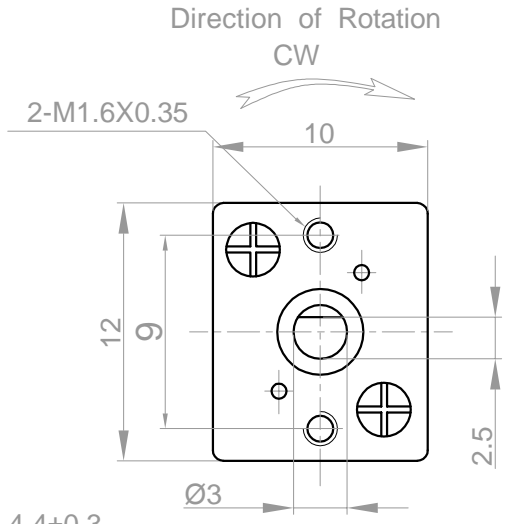
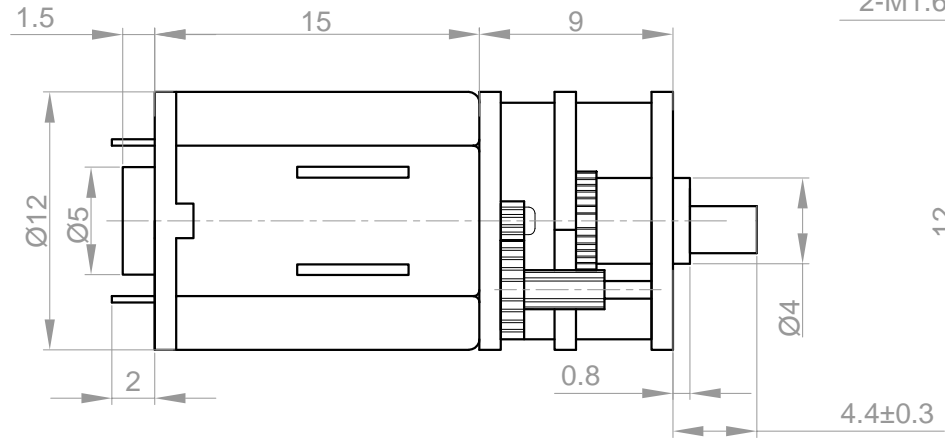
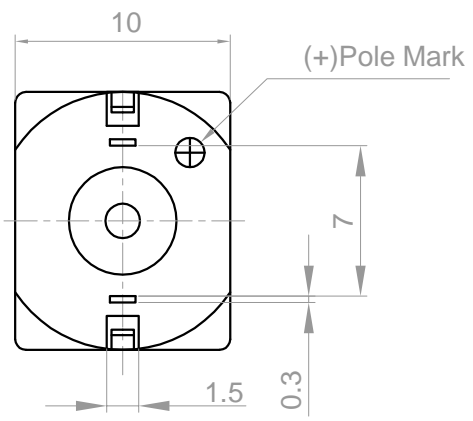
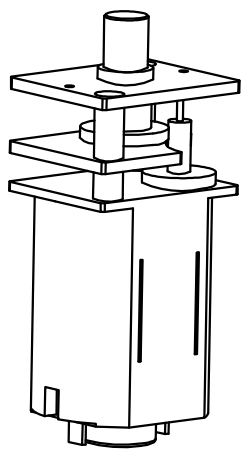


Rev.	Description	Date
01	Update	09/25/2012



Rated Voltage : 3 VDC
 No Load Current : 45 mA Max
 No Load Speed : 30RPM±10%
 Rated Load : 400 g.cm
 Rated Speed : 26 RPM±10%
 Rated Current : 130 mA Max
 Stall Torque : 1200g.cm
 Stall Current : 500 mA Max
 Gear Ratio : 1:298
 Direction of Rotation : CW



Drawn	Harry	09/25/2012
Checked	Sara	09/25/2012
Eng Appr.		
Mfg Appr.		
Q.A.		

UNIT: mm		
Kysan Electronics		
www.kysanelectronics.com		
Size A4	Email info@kysanelectronics.com	Rev 01
Scale: 4:1	Weight(kg):	Sheet 1 of 1

SKU	1150365
-----	---------