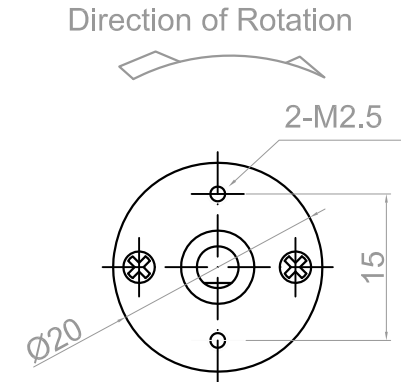
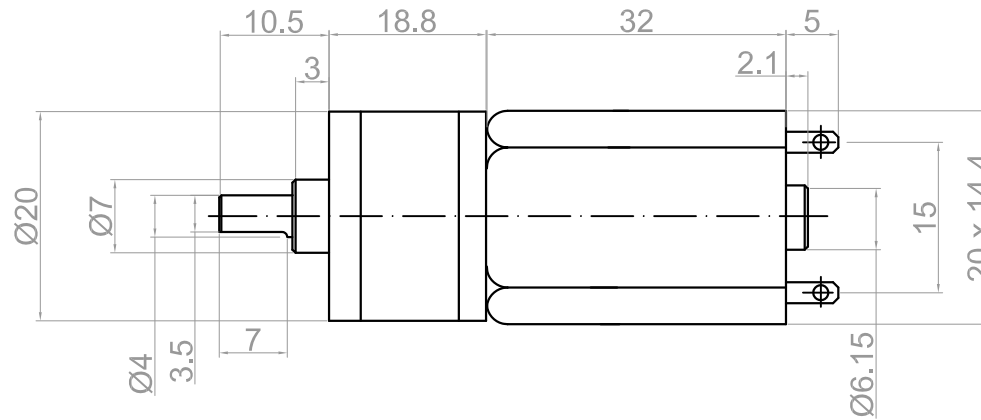


Rev.	Description	Date
01	Release	07/12/2012



Direction of Rotation



Rated Voltage 2.4 VDC  
 No Load Speed 80±10% RPM  
 No Load Current 0.26 A  
 Rated Speed 70±10% RPM  
 Rated Current 0.44A  
 Rated Torque 1 Kg.cm  
 Gear Ratio 156:1  
 Stall Current 3.5A  
 Stall Torque 4.5 Kg.cm

Drawn	Feny	07/12/2012	Unit: mm		
Checked	Sara	07/12/2012			
Eng Appr.			<b>Kysan Electronics</b> www.kysanelectronics.com		
Mfg Appr.					
Q.A.					
SKU	1150366		Size A4	Email info@kysanelectronics.com	Rev 01
			Scale: 3:1	Weight(Kg):	Sheet 1 of 1