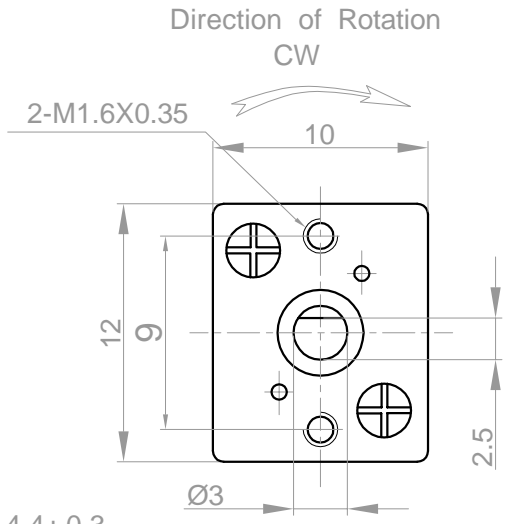
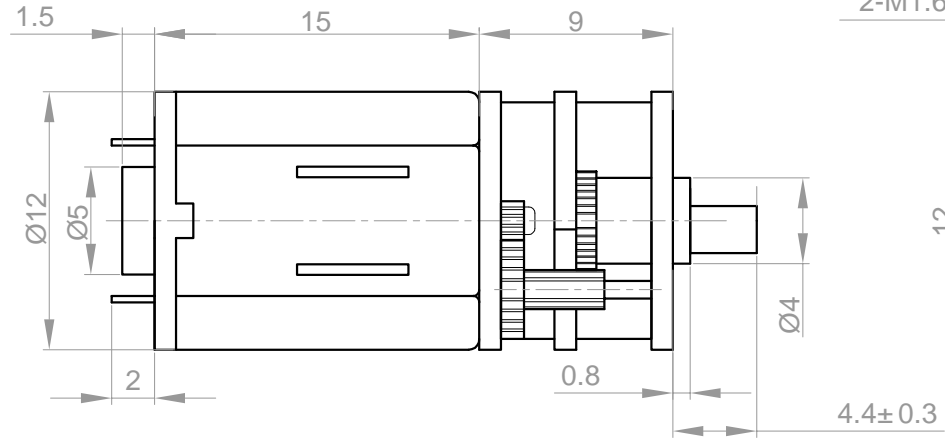
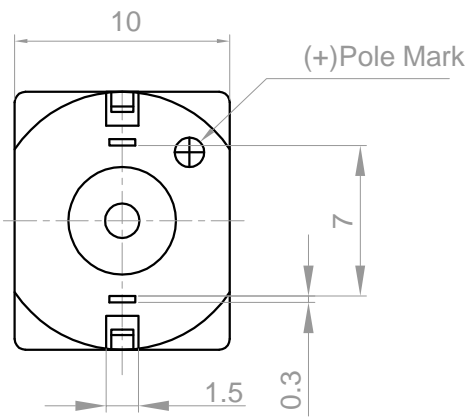
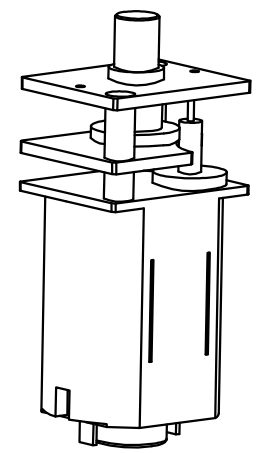


Rev.	Description	Date
01	Release	05/09/2012



Rated Voltage : 12 VDC
 No Load Current : 45 mA Max
 No Load Speed : 93RPM± 10%
 Rated Load :
 Rated Speed :
 Rated Current :
 Stall Torque : 3.6 Kg.cm
 Stall Current :
 Gear Ratio : 1:298
 Direction of Rotation : CW



Drawn	Kim	05/09/2012
Checked	Sara	05/09/2012
Eng Appr.		
Mfg Appr.		
Q.A.		

UNIT: mm

Kysan Electronics
www.kysanelectronics.com

SKU
1150372

Size A4	Email info@kysanelectronics.com	Rev 01
Scale: 4:1	Weight(kg):	Sheet 1 of 1