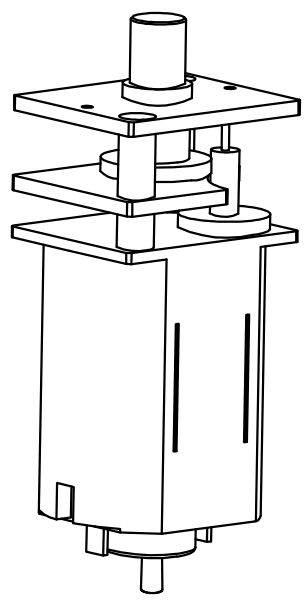
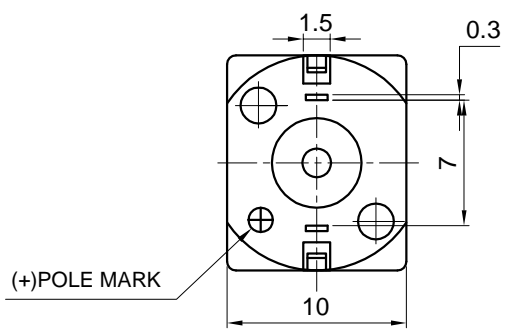
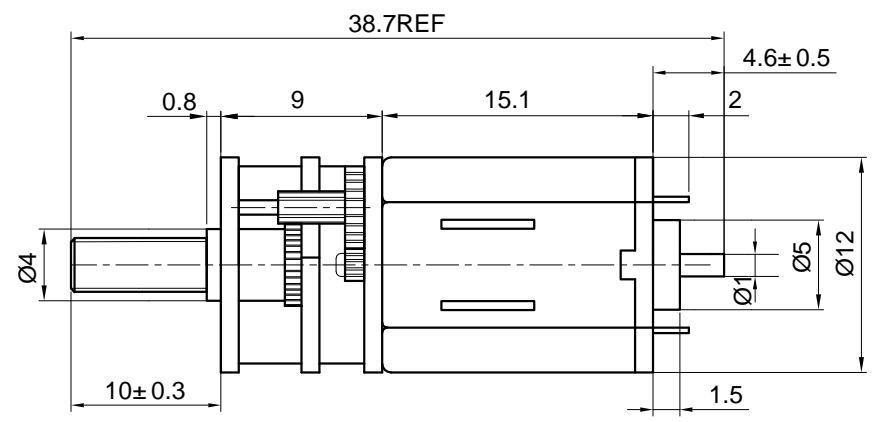
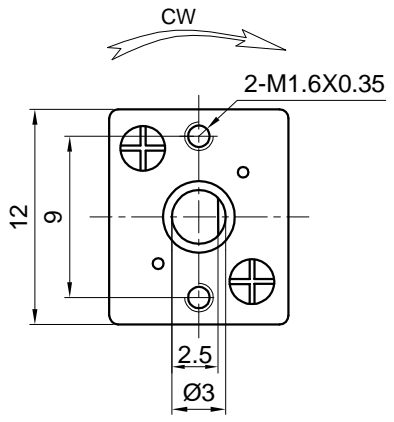


Rev.	Revision	Date
01	Update	10/06/2010



DRAWN	Sara	10/06/2010	UNIT: mm		
CHECKED	Sara	10/06/2010			
ENG APPR.			Kysan Electronics		
MFG APPR.					
Q.A.					
12GN-20PAD012			SIZE	Kysan SKU	REV
			A4	1150382	01
			SCALE: 4:1	Weight(kg): 0.020	SHEET 1 OF 1