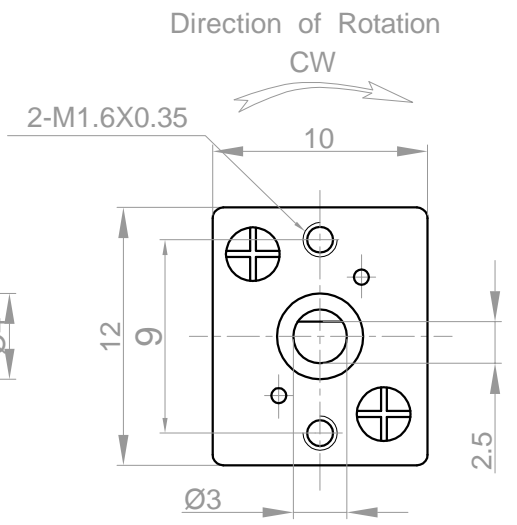
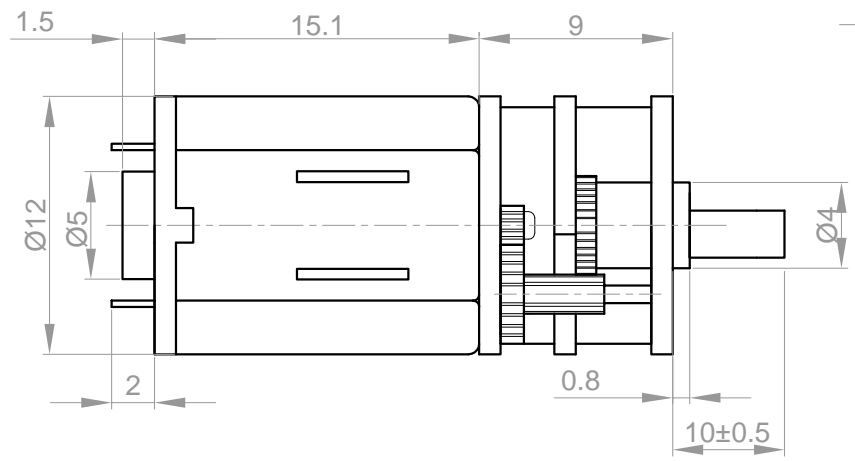
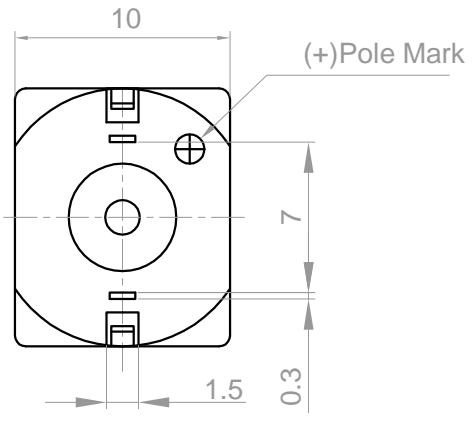
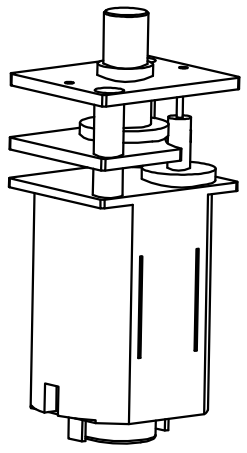


Rev.	Revision	Date
01	Release	07/01/2014



Rated Voltage : 3.0 VDC
 No Load Current : 52mA Max
 No Load Speed : 20RPM±10%
 Rated Load : 525g.cm
 Rated Speed : 45RPM±10%
 Rated Current : 310mA Max
 Starting Torque : 500 g.cm Min
 Stall Current : 550mA Max
 Gear Ratio : 1:380
 Direction of Rotation : CW
 No Load Speed of DC Motor : 12100RPM±10%



Drawn	Joseph	07/01/2014
Checked	Lawrence	07/01/2014
Eng Appr.		
Mfg Appr.		
Q.A.		

UNIT: mm		
Kysan Electronics		
www.kysanelectronics.com		
SKU	Size A4	Email info@kysanelectronics.com
1150385	Scale: 4:1	Rev 01
	Weight(Kg):	Sheet 1 of 1