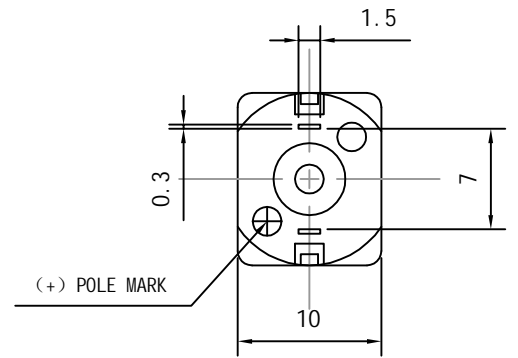
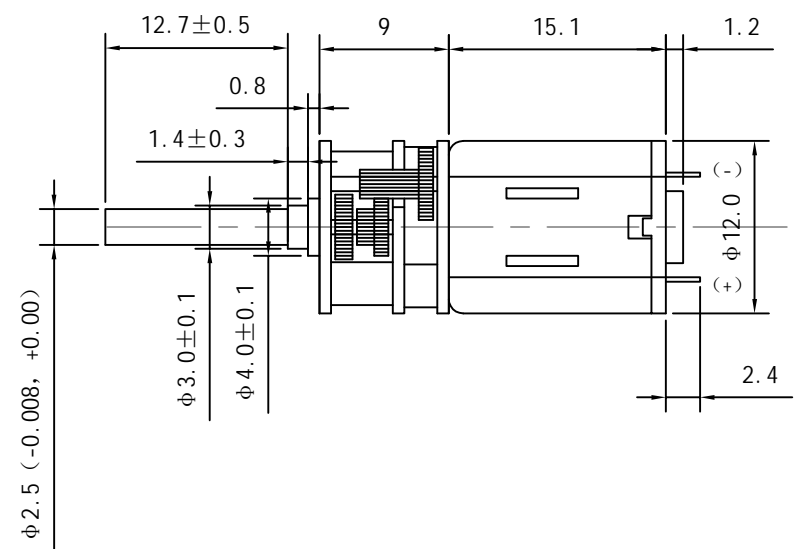
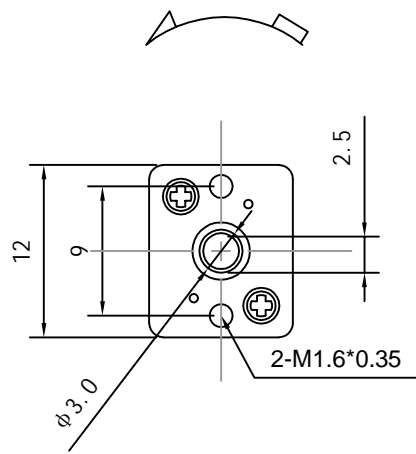


8 7 6 5 4 3 2 1

Direction of Rotation



No.	Item	Specification	No.	Item	Specification
1	Rated Voltage	12V DC	7	Gear Ratio	100:1
2	Rated Load	300g.cm	8	Direction Of Rotation	CCW
3	No Load Current	≤60mA	9		
4	No Load Speed	310RPM	10		
5	Rated Load Current	≤190mA	11		
6	Rated Load Speed	270RPM			

Drawn	Bruce	05/25/2023	Unit: mm	
Checked	Eva	05/25/2023	Kysan Electronics www.kysanelectronics.com	
Eng Appr.				
Mfg Appr.				
Q.A.				
SKU: 1150386			Size :A4	Weight(Kg):
			Scale :	

8 7 6 5 4 3 2 1