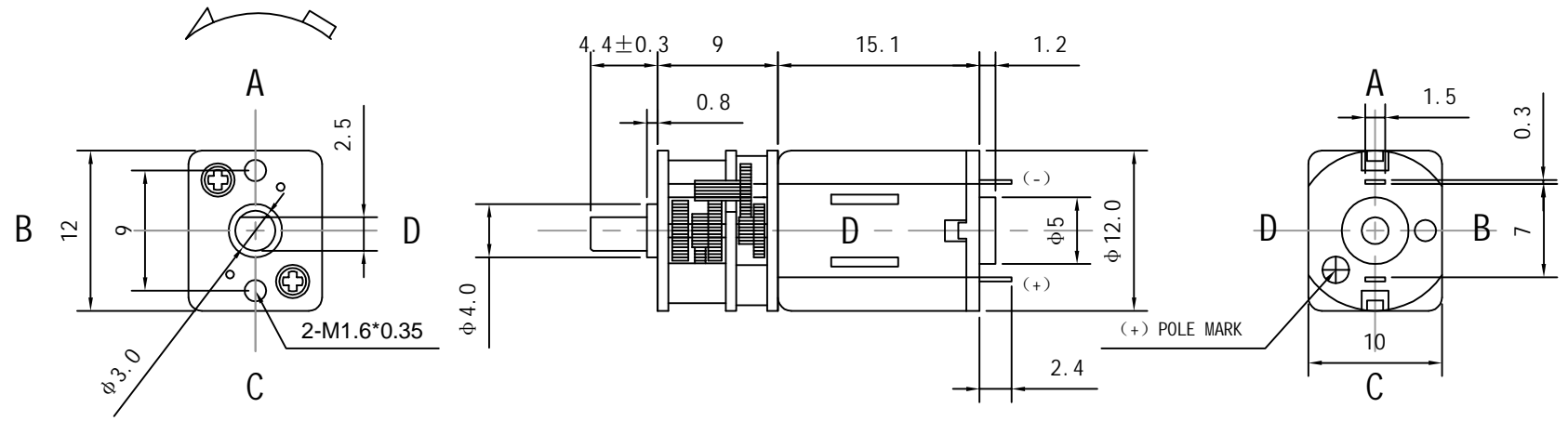


8 7 6 5 4 3 2 1

Direction of Rotation



No.	Item	Specification	No.	Item	Specification
1	Rated Voltage	3V DC	7	Stall Current	450mA Max
2	Rated Load	200g.cm	8	Stall Torque	1000g.cm Min
3	No Load Current	≤50mA	9	Gear Ratio	298:1
4	No Load Speed	35RPM±10%	10	Direction Of Rotation	CCW
5	Rated Load Current	≤100mA	11		
6	Rated Load Speed	31RPM±10%			

Drawn	Bruce	06/05/2023	Unit: mm		
Checked	Eva	06/05/2023	Kysan Electronics www.kysanelectronics.com		
Eng Appr.					
Mfg Appr.					
Q.A.					
SKU: 1150387			Size :A4	Weight(Kg):	
			Scale :		

8 7 6 5 4 3 2 1