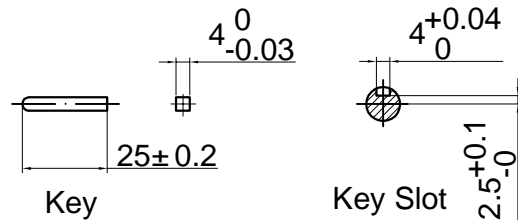
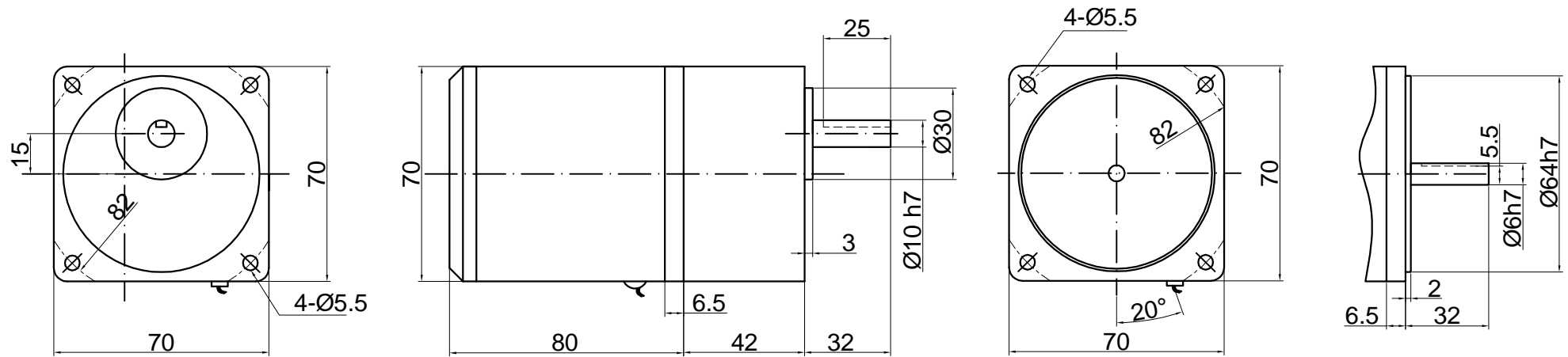


NO.	ITEM	SPECIFICATION
1	Rated Voltage	220 VAC
2	Frequency	50 Hz
3	Power	15 W
4	Rated Current	0.22 A
5	Rated Speed of Motor	1200 RPM
6	Capacitor	1.2uF/450VAC
7	Operating Mode	Continuous
8	Gear Ratio	25:1
9	Rated Output Speed	60 RPM
10	Output Torque	22.8 Kg.cm

Rev.	Revision	Date
01	Update	8/26/2011



Motor

DRAWN	Amily	8/26/2011	UNIT: mm	
CHECKED	Sara	8/26/2011		
ENG APPR.				
MFG APPR.			Kysan Electronics	
Q.A.				
SKU	1150391		SIZE A4	Email to Info@kysanelectronics.com
			SCALE: 1:1	Weight(kg): 1.85
				SHEET 1 OF 1