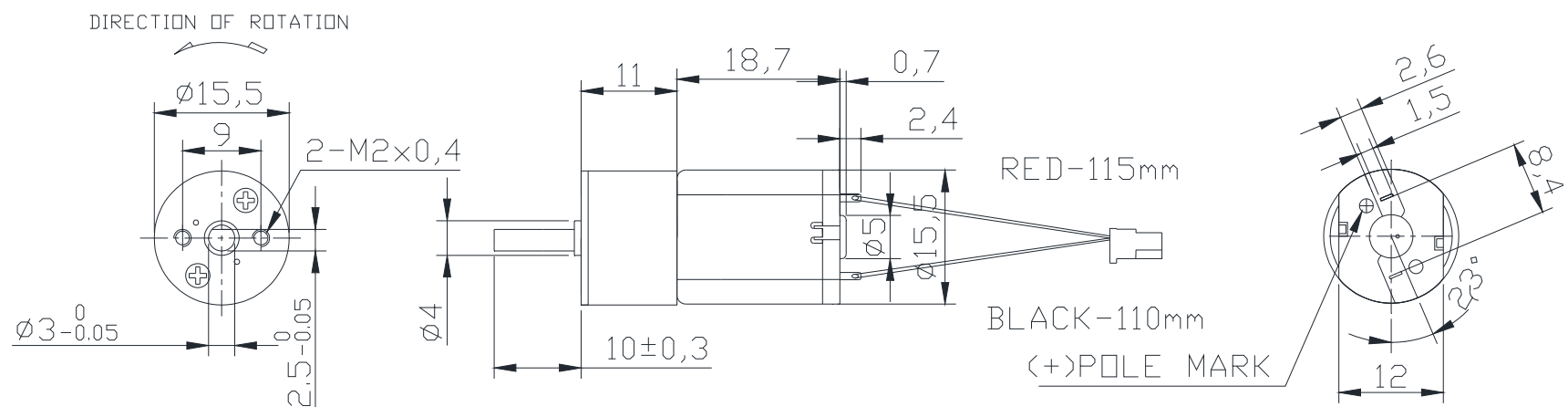


Rev.	Description	Date
01		



Connector JST : GHR-02V-S  
Terminal : SSHL-002T-P0.2

No.	Item	Specification	No.	Item	Specification
1	Operating Voltage Range	9.0V-13V DC	7	Rated Load Current	100mA Max
2	Rated Voltage	12.0V DC	8	Rated Load Speed	36RPM±10%
3	Rated Load	1000g.cm	9	Stall Current	500mA Max
4	Direction Of Rotation	CCW	10	Stall Torque	4.5kg.cm
5	No Load Current	60mA Max	11	Gear Ratio	360:1
6	No Load Speed	40RPM±10%			

Drawn	Bruce	08/31/2023	Unit: mm	
Checked	Eva	08/31/2023	<b>Kysan Electronics</b> www.kysanelectronics.com info@kysanelectronics.com	
Eng Appr.				
Mfg Appr.				
Q.A.				
<b>SKU:</b> 1150517			Size :A4	Weight(Kg):
			Scale :	