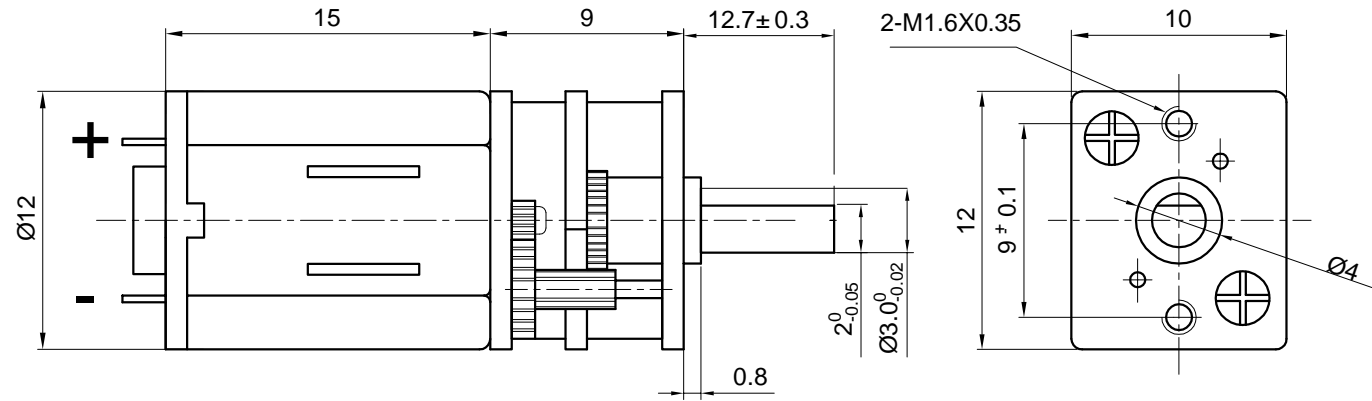
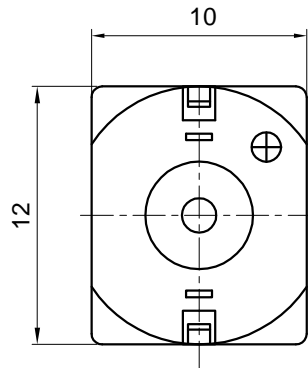


NO.	ITEM	SPECIFICATION
1	Rated Voltage (VDC)	5
2	Speed No Load (RPM)	500
3	Gear Ratio	30:1
4	Torque(g.cm)	300
5	Speed of DC Motor(RPM)	15000

Rev.	Revision	Date
01	Update	12/15/2010



DRAWN	Jack	12/15/2010
CHECKED	Sara	12/15/2010
ENG APPR.		
MFG APPR.		
Q.A.		

UNIT: mm

A12FT-5V500RPM-12.7

Kysan Electronics

SIZE  
A4

Kysan SKU  
1150635

REV  
01

SCALE: 4:1

Weight(kg): 0.015

SHEET 1 OF 1