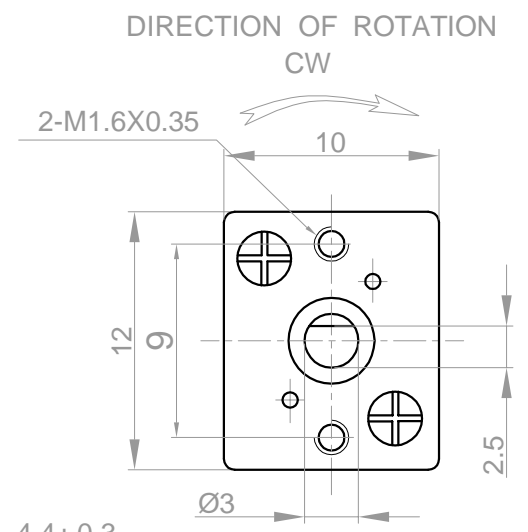
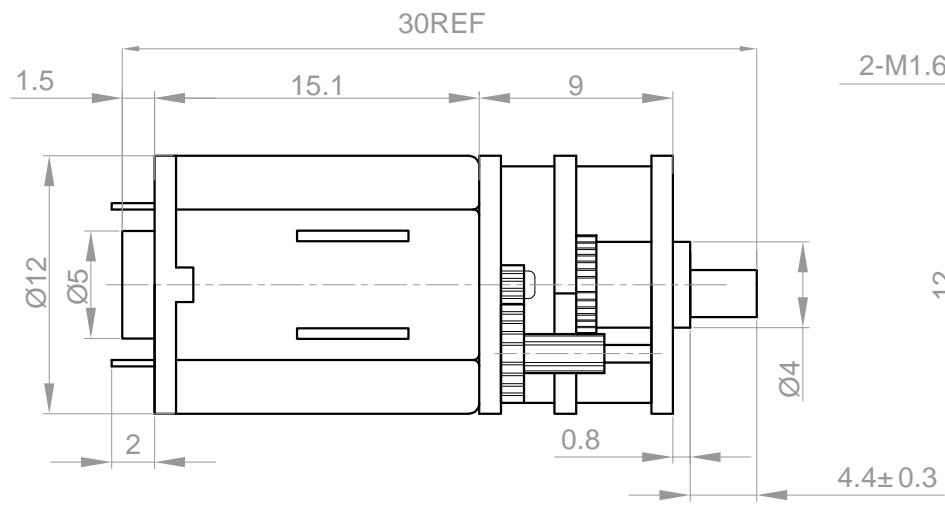
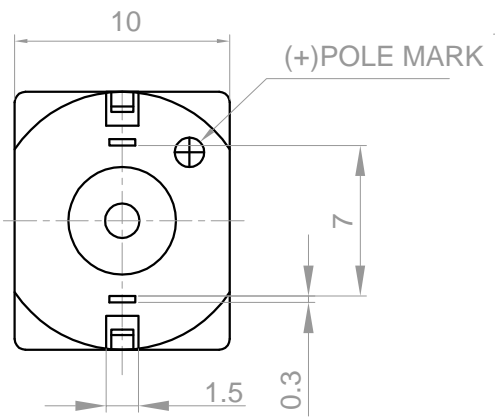
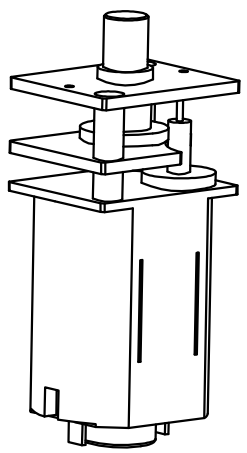


Rev.	Revision	Date
01	Update	12/28/2011



Rated Voltage : 5 VDC  
 No Load Current : 40 mA Max  
 No Load Speed : 93RPM± 10%  
 Rated Load : 200 g.cm  
 Rated Speed : 78 RPM± 10%  
 Rated Current : 100 mA Max  
 Stall Torque : 1000g.cm  
 Stall Current : 480 mA Max  
 Gear Ratio : 1:150  
 Direction of Rotation : CW / CCW



DRAWN	Emily	12/28/2011
CHECKED	Sara	12/28/2011
ENG APPR.		
MFG APPR.		
Q.A.		

UNIT: mm

**Kysan Electronics**

SKU  
1150676

SIZE A4	Email info@kysanelectronics.com	REV 01
SCALE: 4:1	Weight(kg):	SHEET 1 OF 1