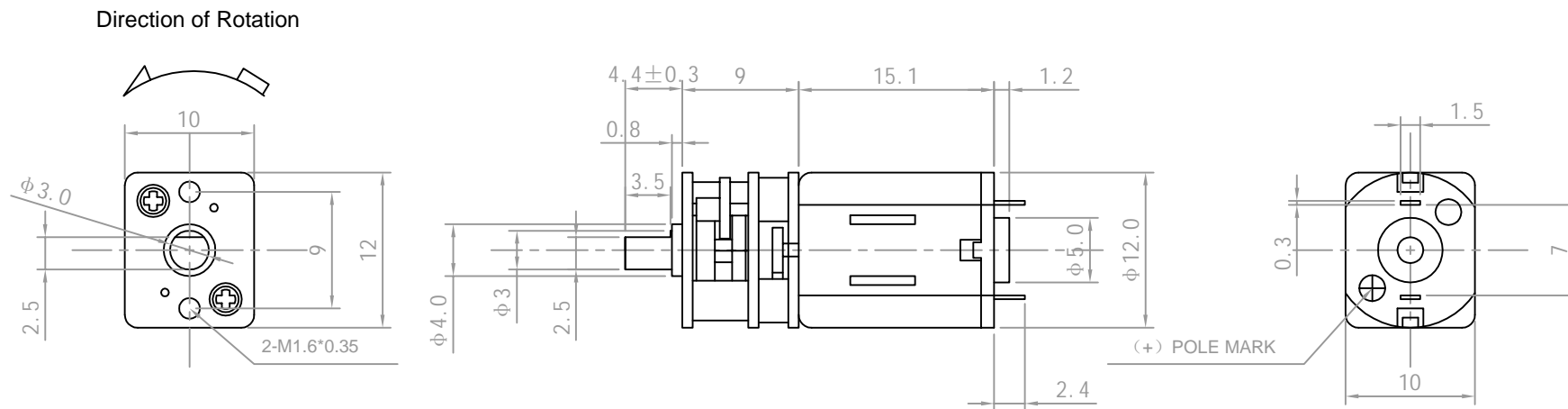


Rev.	Description	Date
01		



No.	Item	Specification	No.	Item	Specification
1	Rated Voltage	5.0 V DC	7	Rated Load Speed	155RPM ± 10%
2	Operating Voltage Range	3.0V-6.0V DC	8	Stall Current	≤ 700mA
3	No Load Speed	180RPM ± 10%	9	Stall Torque	≥ 600g.cm
4	No Load Current	60mA Max	10	Gear Ratio	100: 1
5	Rated Load	150g.cm	11	Direction of Rotation	CCW
6	Rated Load Current	150mA Max			

Drawn	Bruce	11/16/2021	Unit: mm	
Checked			Kysan Electronics www.kysanelectronics.com info@kysanelectronics.com	
Eng Appr.				
Mfg Appr.				
Q.A.				
SKU: 1150681			Size :A4	Weight(g): 9.2g
			Scale 2:1	