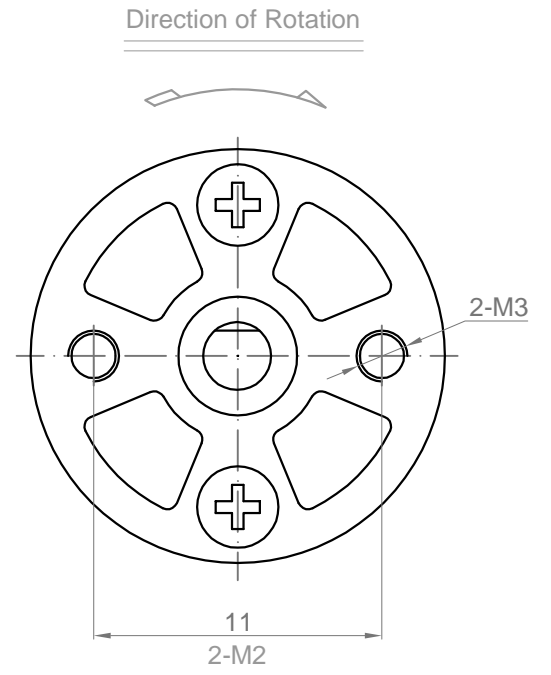
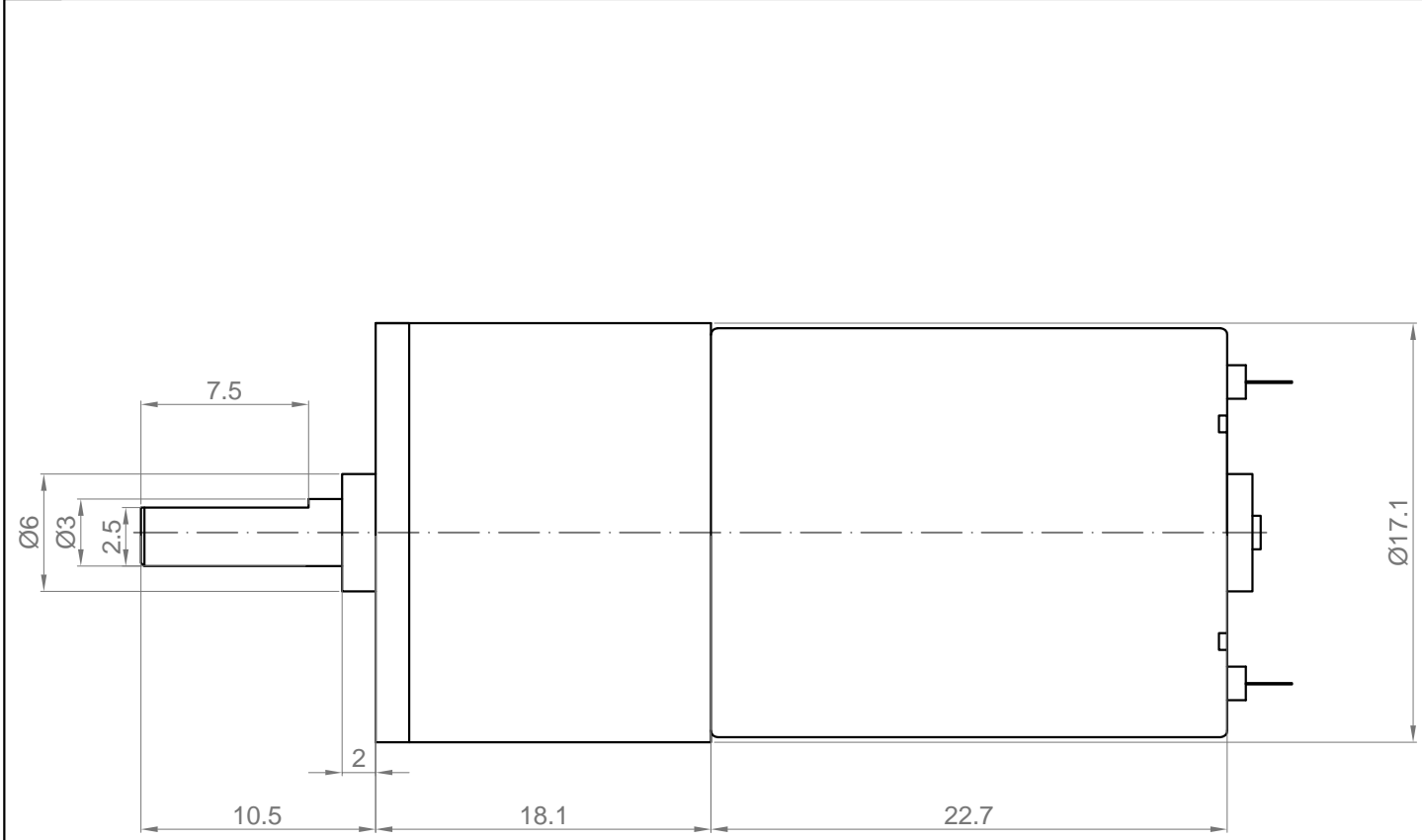


Rev.	Description	Date
01	Release for Production	09/27/2012



NO.	Item	Specification	NO.	Item	Specification
1	Rated Voltage	6 V DC	7	No Load Current	0.065 A
2	Rated Torque	220gf.cm	8	No Load Speed	55±10% RPM
3	Rated Current	0.1A	9		
4	Rated Speed	45±10% RPM			
5	Gear Ratio	1:83.6			
6					

Drawn	Lawrence	12/02/2016	<b>Kysan Electronics</b> <a href="http://www.kysanelectronics.com">www.kysanelectronics.com</a> <a href="mailto:info@kysanelectronics.com">info@kysanelectronics.com</a>		
Checked					
Eng Appr.					
Mfg Appr.					
Q.A.					
SKU	<b>1151042</b>		Size : A4	Weight(Kg): 0.5	Unit: mm
			Scale: 5:1		Sheet 1of 1