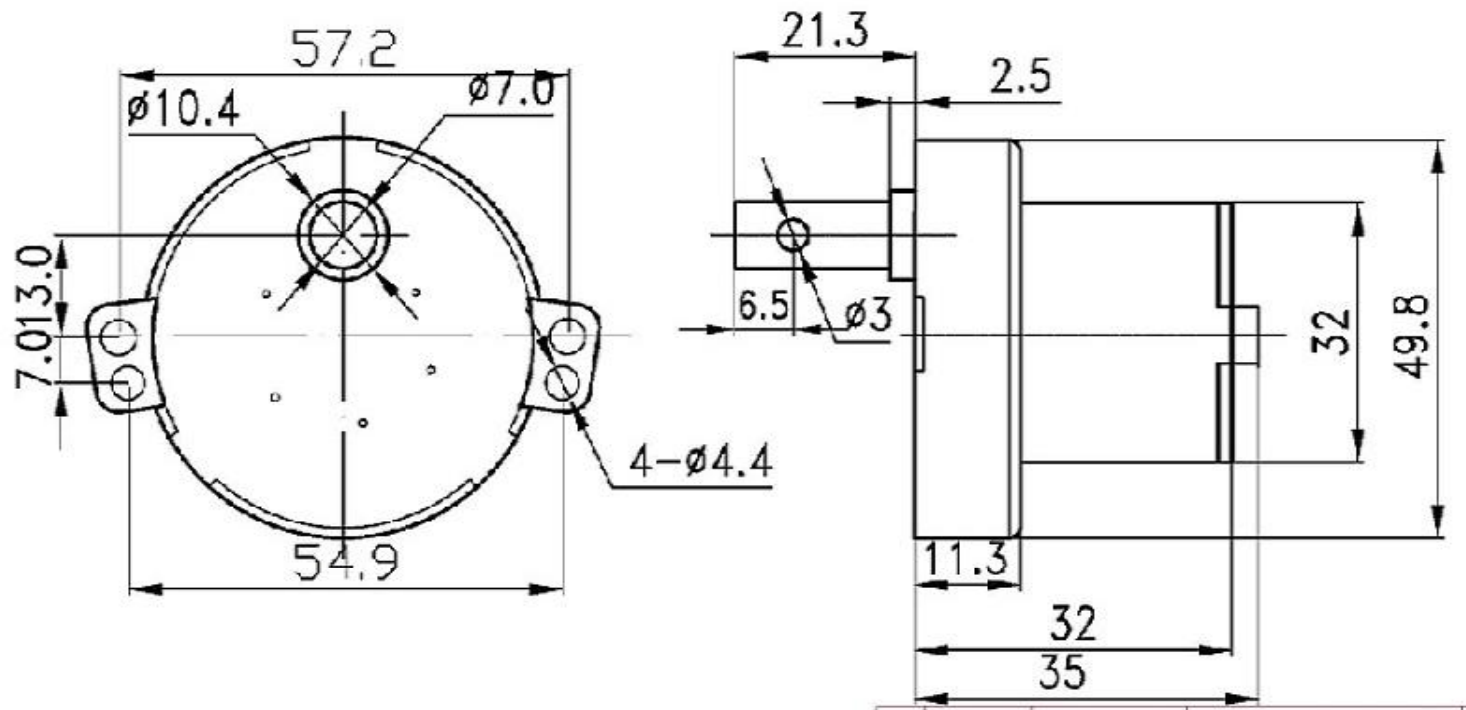


Rev.	Description	Date
G1		



No.	Item	Specification	No.	Item	Specification
1	Rated Voltage	6V DC	7	Gear Ratio	1:150
2	No Load Speed	$9 \pm 10\%$ rpm	8	Stall Torque	10.5kg. cm
3	No Load Current	70mA Max			
4	Rated Speed	$8 \pm 10\%$ rpm			
5	Rated Current	400mA Max			
6	Rated Torque	1.2kg. cm			

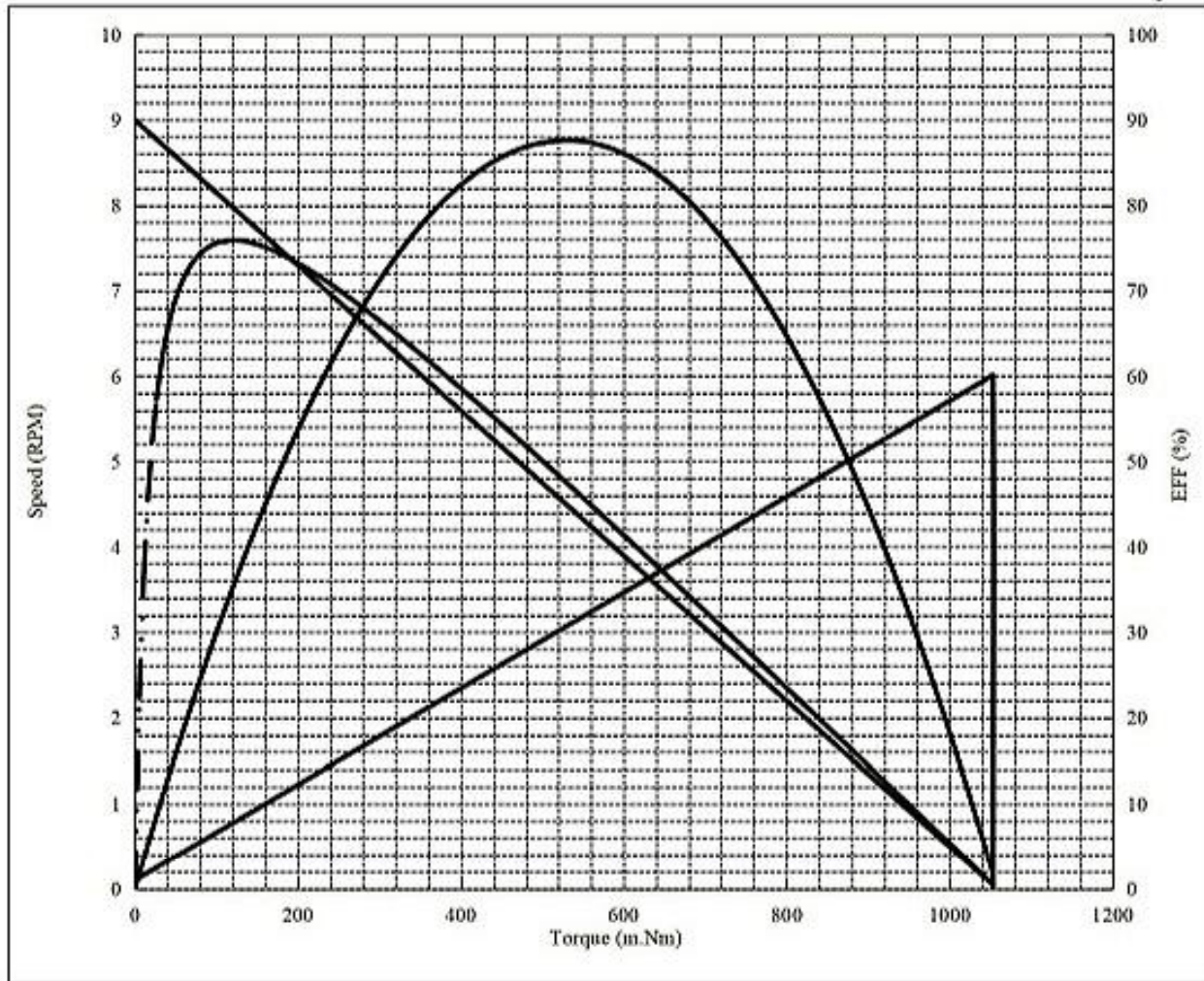
Drawn	Bruce	11/25/2020	Unit: mm		
Checked			Kysan Electronics www.kysanelectronics.com info@kysanelectronics.com		
Eng Appr.					
Mfg Appr.					
Q.A.					
SKU			Size :A4	Weight(g):	
1151102			Scale		

Motor Sample Performance

Project No.:
 No. : **1151102**
 Model :

Date : 11/23/20

Full scale : **— · · —** 100 % Eff
----- 5.0 Watts
————— 5.0 Amp.



Performance (in an ambient temperature of 25-30 ° C)

Motor tested rapidly to prevent significant temperature rise.

At a constant voltage of : 6.00 Volts
 Direction CW

At No Load

Speed : 9 RPM
 Current : 0.05 AMPS

At stall (Extrapolated)

Torque : 1058.41 m.Nm
 Current : 3.020 AMPS

At maximum efficiency

Efficiency: 75.9 %
 Torque : 120.661 m.Nm
 Speed : 8 RPM
 Current : 0.389 AMPS
 Output : 1.77 Watts

At maximum Power output

Output : 4.381 Watts
 Torque : 529.204 m.Nm
 Speed : 5 RPM
 Current : 1.49 AMPS

Characteristics

Torque constant : 356.366 m.Nm/AMP
 E.M.F. constant : 356.366 mV/rad/sec
 Dynamic resistance: 1.9868 Ohms
 Motor regulation : 0.01 RPM/mN-m

Issued by QA Reliability Testing Center

COMPUTER PRINT-OUT
 NOMINAL MOTOR CURVES
 Performance and characteristics
 are measured based on limited
 motor samples only