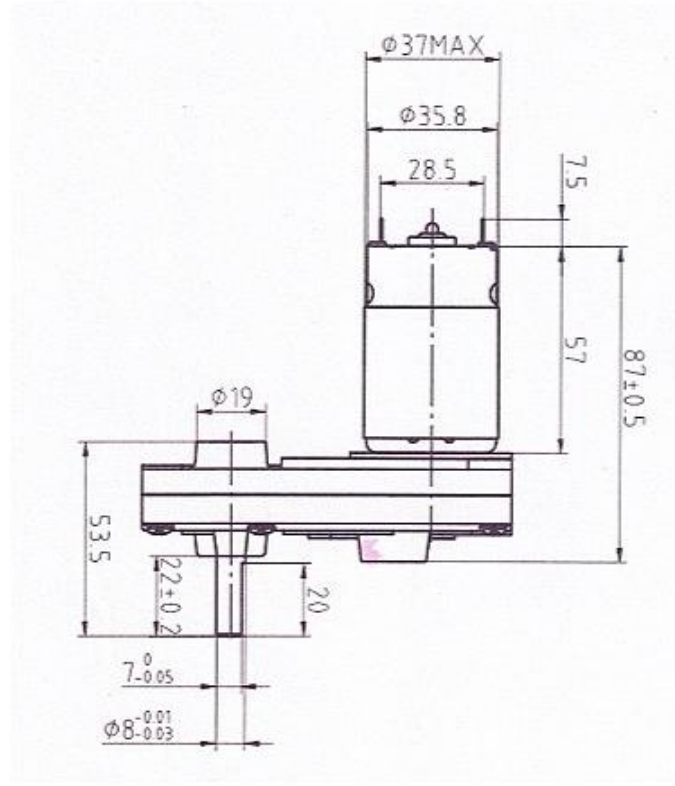
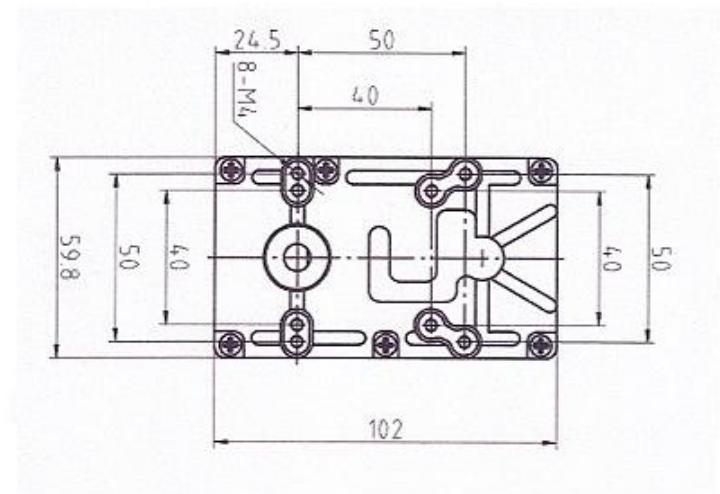


| Rev. | Description | Date |
|------|-------------|------|
| 01 | | |

SPUR GEARED MOTOR SPECIFICATION



| No. | Item | Specification | No. | Item | Specification |
|-----|-----------------|---------------|-----|-----------------------|---------------|
| 1 | Rated Voltage | 12V DC | 7 | Direction Of Rotation | CW |
| 2 | No Load Speed | 8.3rpm | | | |
| 3 | No Load Current | ≤350mA | | | |
| 4 | Rated Speed | 7.8rpm | | | |
| 5 | Rated Current | ≤700mA | | | |
| 6 | Rated Torque | 25kg. cm | | | |

| Drawn | Bruce | 01/24/2022 | Unit: mm | |
|-----------|-------|------------|---|-------------|
| Checked | | | Kysan Electronics www.kysanelectronics.com info@kysanelectronics.com | |
| Eng Appr. | | | | |
| Mfg Appr. | | | | |
| Q. A. | | | | |
| SKU: | | 1151103 | Size :A4 | Weight(Kg): |
| | | | Scale | |

GEAR MOTOR CHARACTERISTICS (齿轮箱电机曲线图)

编号或型号: 1151103

制作单号: 0

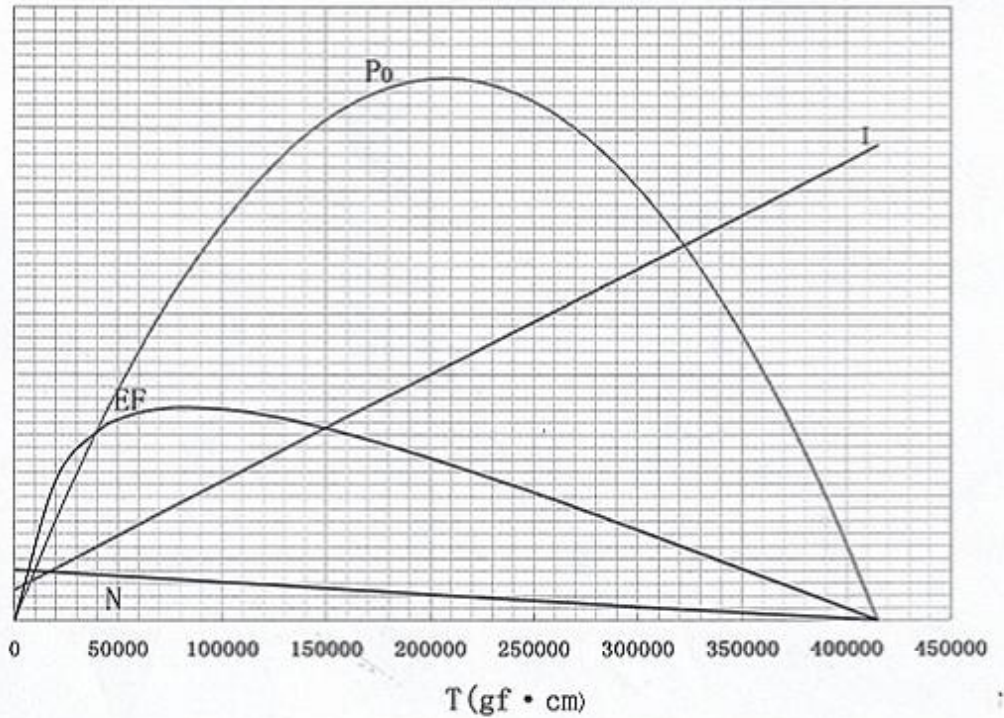
额定电压: 12VDC

制作日期: 2022/4/21

转 向: CW

— N: Speed: 转速 — I: Current: 电流
— P: Out power: 输出功率 — EF: Efficiency: 效率

| P ₀ | EF | I | N |
|----------------|-----|------|-------|
| 10 | 100 | 7000 | 100 |
| | | | |
| | | | |
| | | | |
| | | | |
| | | | |
| | | | |
| 5 | 50 | 3500 | 50 |
| | | | |
| | | | |
| | | | |
| | | | |
| [W] | [%] | [mA] | r/min |



| | T (mNm) | (gf. cm) | N (r/min) | I (mA) | P ₀ [W] | EF [%] |
|------------------------------|----------|----------|-----------|--------|--------------------|--------|
| No Load... N, I (空载) | 0.00 | 0 | 8.30 | 350 | 0.0 | 0.00 |
| | 490.20 | 5000 | 8.20 | 411 | 0.4 | 8.52 |
| | 980.39 | 10000 | 8.10 | 472 | 0.8 | 14.66 |
| | 1470.59 | 15000 | 8.00 | 533 | 1.2 | 19.23 |
| | 1960.78 | 20000 | 7.90 | 594 | 1.6 | 22.72 |
| | 2450.98 | 25000 | 7.80 | 656 | 2.0 | 25.42 |
| Rated... T (负载) | 2941.18 | 30000 | 7.70 | 717 | 2.4 | 27.55 |
| | 3431.37 | 35000 | 7.60 | 778 | 2.7 | 29.23 |
| | 3921.57 | 40000 | 7.50 | 839 | 3.1 | 30.57 |
| | 4411.76 | 45000 | 7.40 | 900 | 3.4 | 31.62 |
| | 4901.96 | 50000 | 7.30 | 961 | 3.7 | 32.46 |
| | 5392.16 | 55000 | 7.20 | 1022 | 4.1 | 33.11 |
| | 5882.35 | 60000 | 7.10 | 1083 | 4.4 | 33.61 |
| | 6372.55 | 65000 | 7.00 | 1144 | 4.7 | 33.98 |
| | 6862.75 | 70000 | 6.90 | 1206 | 5.0 | 34.24 |
| | 7352.94 | 75000 | 6.80 | 1267 | 5.2 | 34.41 |
| Stop... T (堵转) | 40686.27 | 415000 | 0.00 | 5422 | 0.0 | 0.00 |
| Max... P ₀ (最大功率) | 20343.14 | 207500 | 4.15 | 2886 | 8.8 | 25.50 |
| Max... EF (最大效率) | 8242.77 | 84076 | 6.62 | 1378 | 5.7 | 34.52 |