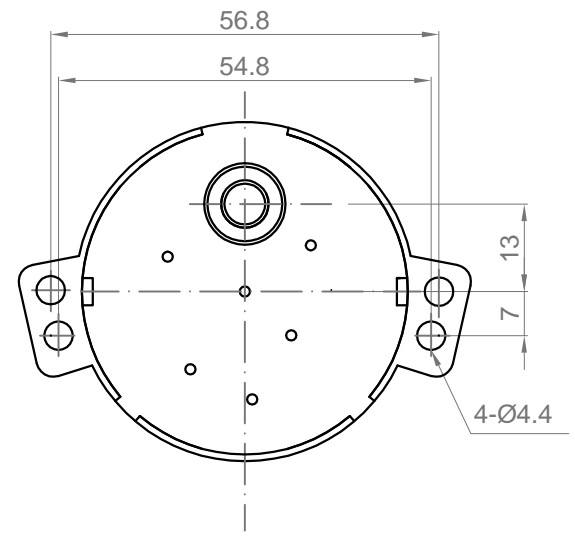
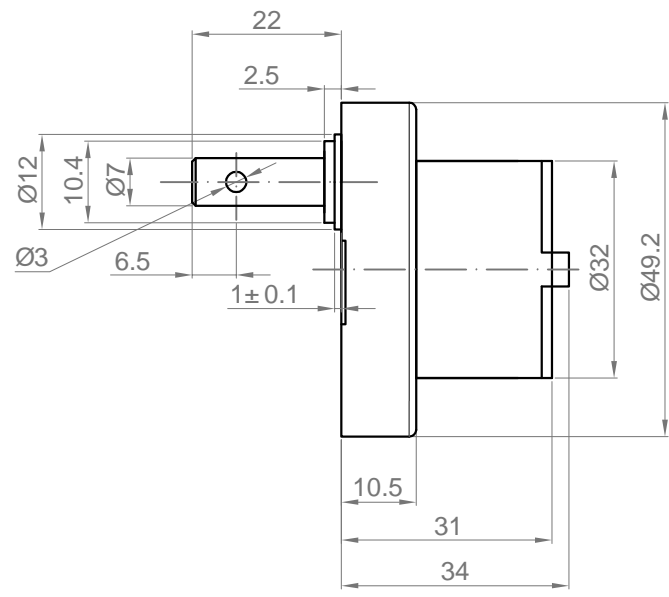


Rev.	Description	Date
01	Release for production	02/14/2012



NO.	Item	Specification	NO.	Item	Specification
1	Rated Voltage	6 VDC	7	Noise Level	40 db Max
2	No Load Current	40 mA Max	8	Temperture Raise	40 K max
3	No Load Speed	7RPM	9	Gear Ratio	176:1
4	Output Torque	1.5 Kg.cm	10	Direction of Rotation	CW / CCW
5	Stall Current	80 mA	11	Life	1000 h Min
6	Starting Voltage	3VDC Max			

Drawn	Emily	02/14/2012	Unit: mm		
Checked	Sara	02/14/2012	<b>Kysan Electronics</b> <a href="http://www.kysanelectronics.com">www.kysanelectronics.com</a> Email : <a href="mailto:info@kysanelectronics.com">info@kysanelectronics.com</a>		
Eng Appr.					
Mfg Appr.					
Q.A.					
SKU			Size :A4	Weight(kg): 0.5	
1151104			Scale 2:1		