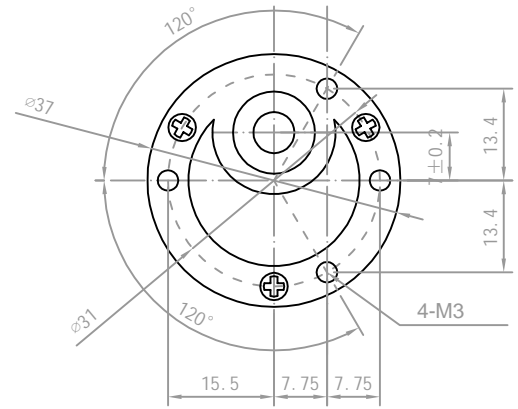
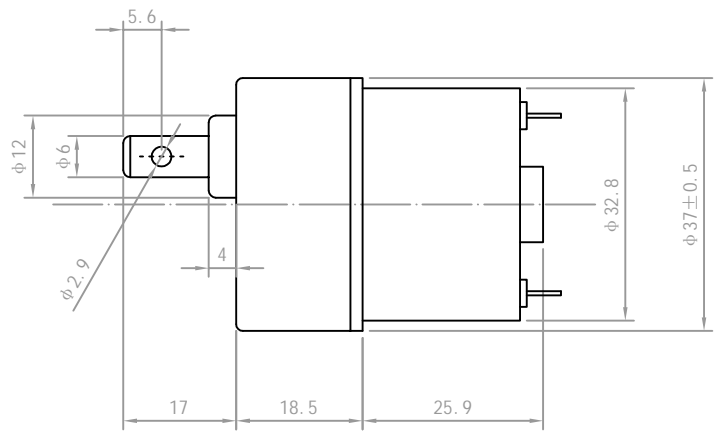


Rev.	Description	Date
01		



No.	Item	Specification	No.	Item	Specification
1	Rated Voltage	12V DC	7	Gear Ratio	1:50
2	No Load Speed	144 ± 10%rpm	8	Stall Torque	2.5kg.cm
3	No Load Current	120mA Max			
4	Rated Speed	120 ± 10%rpm			
5	Rated Current	220mA Max			
6	Rated Torque	1.5kg.cm			

Drawn	Bruce	03/27/2020	Unit: mm		
Checked			Kysan Electronics www.kysanelectronics.com		
Eng Appr.					
Mfg Appr.					
Q.A.					
SKU 1151204			Size :A4	Weight(g):	
			Scale 1:1		