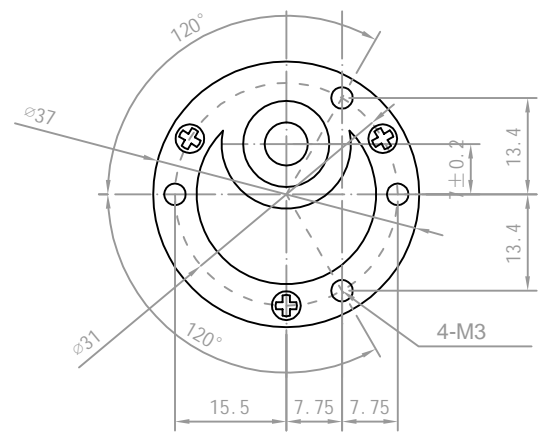
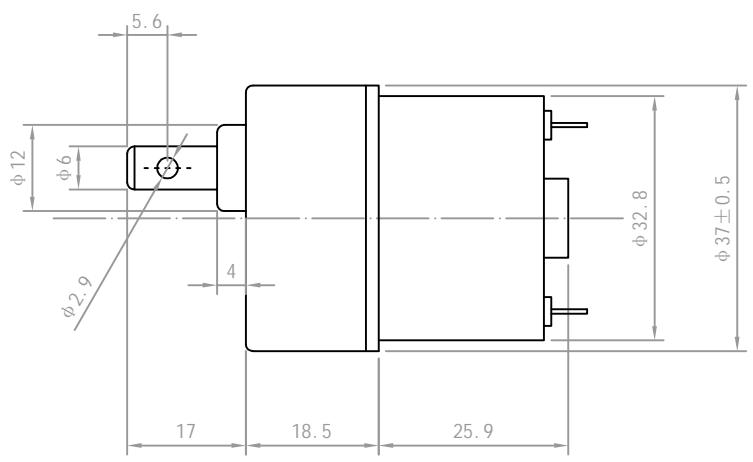


Rev.	Description	Date
01		



No.	Item	Specification	No.	Item	Specification
1	Rated Voltage	12V DC	7	Gear Ratio	1:56
2	No Load Speed	130±10%rpm	8	Stall Torque	2.7kg.cm
3	No Load Current	120mA Max			
4	Rated Speed	110±10%rpm			
5	Rated Current	220mA Max			
6	Rated Torque	1.6kg.cm			

Drawn	Bruce	03/27/2020	Unit: mm	
Checked			<b>Kysan Electronics</b> <a href="http://www.kysanelectronics.com">www.kysanelectronics.com</a>	
Eng Appr.				
Mfg Appr.				
Q.A.				
SKU		1151205	Size :A4	Weight(g):
			Scale 1:1	