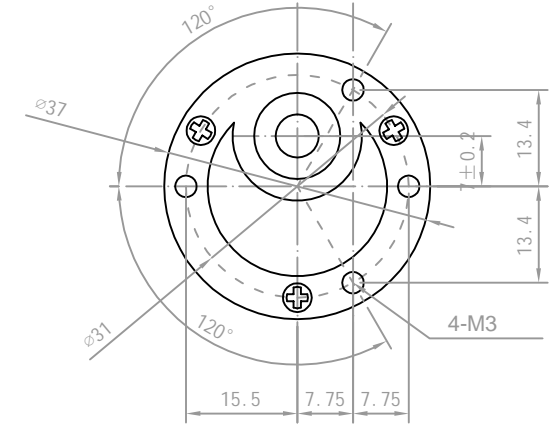
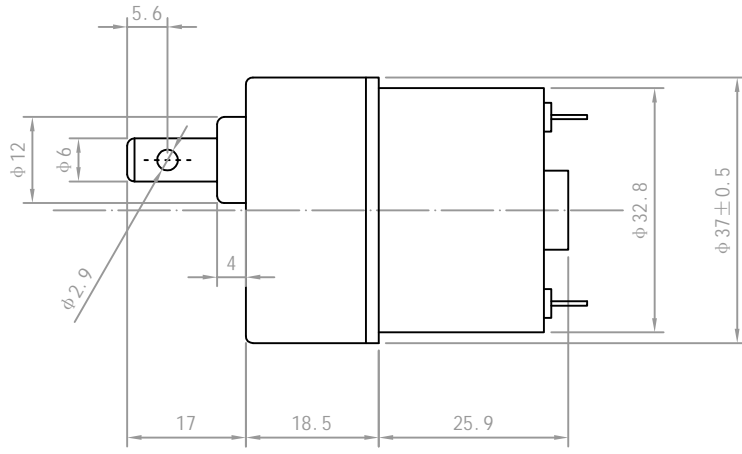


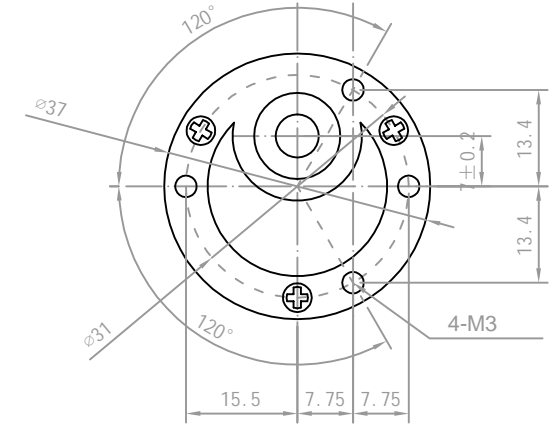
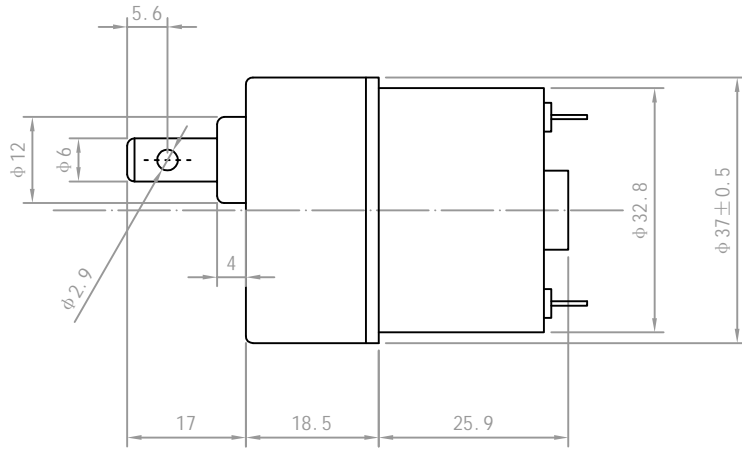
Rev.	Description	Date
01		



No.	Item	Specification	No.	Item	Specification
1	Rated Voltage	12V DC	7	Gear Ratio	1: 100
2	No Load Speed	72±10%rpm	8	Stall Torque	5kg. cm
3	No Load Current	120mA Max			
4	Rated Speed	60±10%rpm			
5	Rated Current	220mA Max			
6	Rated Torque	3kg. cm			

Drawn	Bruce	03/27/2020	Unit: mm		
Checked			Kysan Electronics www.kysanelectronics.com		
Eng Appr.					
Mfg Appr.					
Q.A.					
SKU			Size :A4	Weight(g):	
1151207			Scale 1:1		

Rev.	Description	Date
01		



No.	Item	Specification	No.	Item	Specification
1	Rated Voltage	12V DC	7	Gear Ratio	1:56
2	No Load Speed	130±10%rpm	8	Stall Torque	2.7kg.cm
3	No Load Current	120mA Max			
4	Rated Speed	110±10%rpm			
5	Rated Current	220mA Max			
6	Rated Torque	1.6kg.cm			

Drawn	Bruce	03/27/2020	Unit: mm	
Checked			Kysan Electronics www.kysanelectronics.com	
Eng Appr.				
Mfg Appr.				
Q.A.				
SKU			Size :A4	Weight(g):
1151205			Scale 1:1	