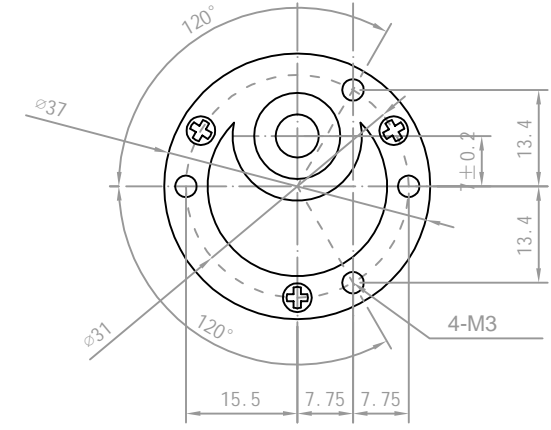
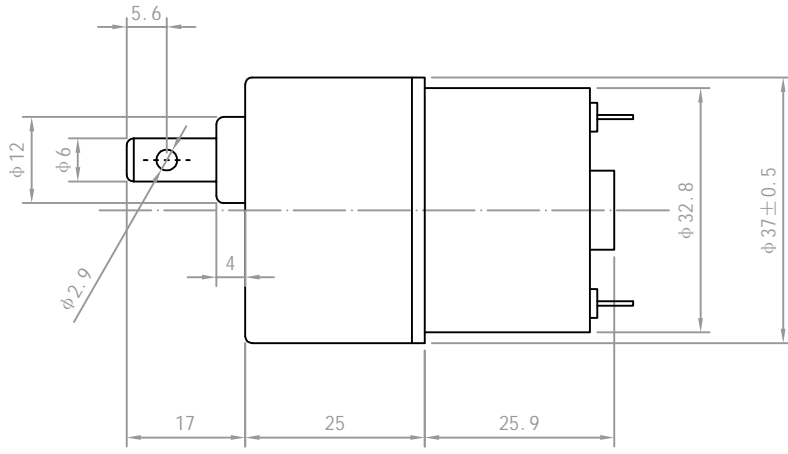


Rev.	Description	Date
01		



No.	Item	Specification	No.	Item	Specification
1	Rated Voltage	12V DC	7	Gear Ratio	1: 150
2	No Load Speed	48±10%rpm	8	Stall Torque	7.5kg. cm
3	No Load Current	120mA Max			
4	Rated Speed	40±10%rpm			
5	Rated Current	220mA Max			
6	Rated Torque	4.5kg. cm			

Drawn	Bruce	03/27/2020	Unit: mm	
Checked			Kysan Electronics www.kysanelectronics.com	
Eng Appr.				
Mfg Appr.				
Q.A.				
SKU			Size :A4	Weight(g):
1151208			Scale 1:1	