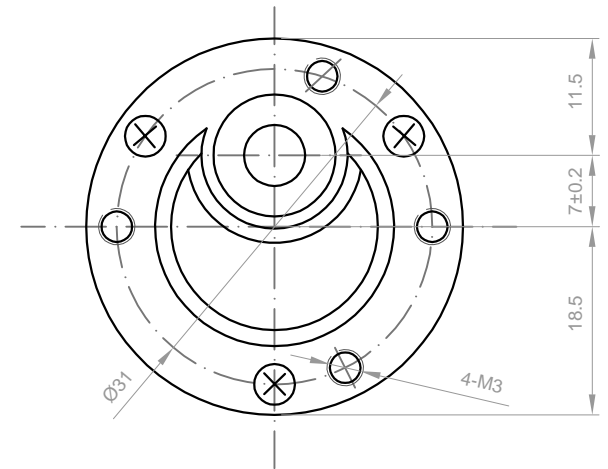
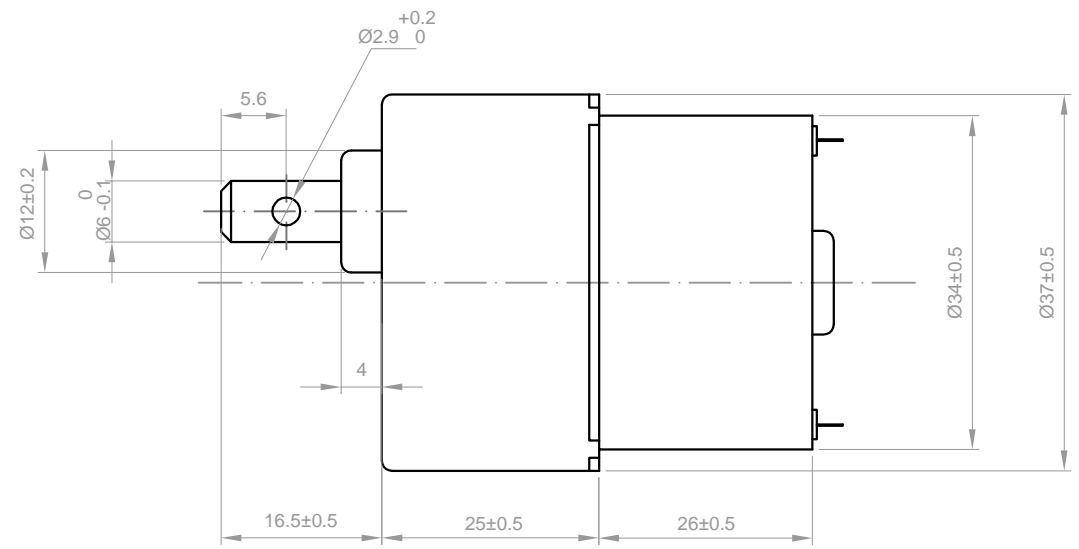


Rev.	Description	Date
00	Release for production	07/14/2014



NO.	Item	Specification	NO.	Item	Specification
1	Rated Voltage	12V	7	Rated Torque	5.8 Kg.cm
2	No Load Current	0.12A Max			
3	No Load speed	29±10%RPM			
4	Gear Ratio	1:250			
5	Rated Speed	24±10%RPM			
6	Rated Current	0.29A Max			

Drawn	Lawrence	02/04/2016	Unit: mm	
Checked			Kysan Electronics www.kysanelectronics.com info@kysanelectronics.com	
Eng Appr.				
Mfg Appr.				
Q.A.				
SKU	1151210		Size :A4	Weight(Kg):0.435
			Scale 1:1	