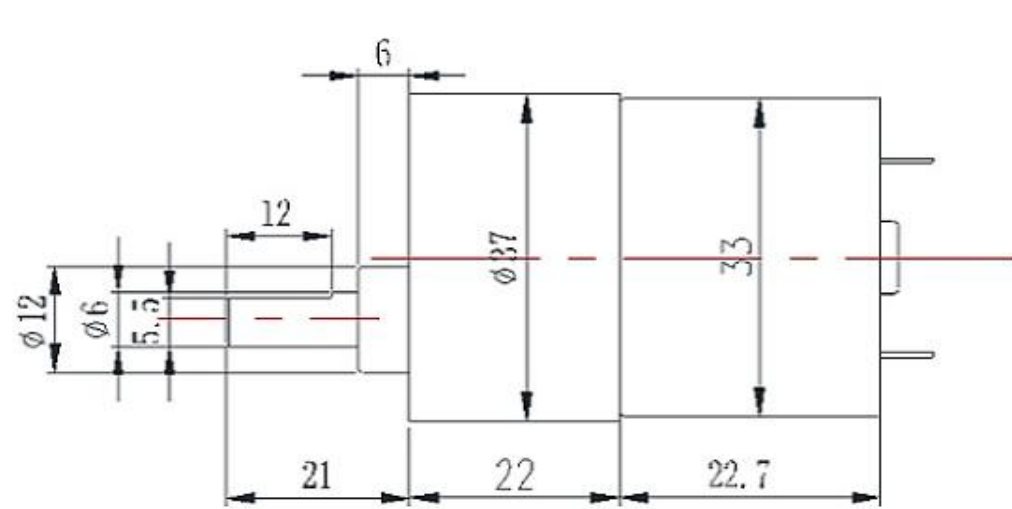


Rev.	Description	Date
01		

## SPUR GEARED MOTOR SPECIFICATION



No.	Item	Specification	No.	Item	Specification
1	Rated Voltage	12V DC	7	Stall Current	2.3A
2	No Load Speed	$400 \pm 10\%$ rpm	8	Stall Torque	3kg.cm
3	No Load Current	$\leq 220\text{mA}$	9	Direction of rotation	CW
4	Rated Speed	$300 \pm 10\%$ rpm			
5	Rated Current	$\leq 550\text{mA}$			
6	Rated Torque	600g.cm			

Drawn	Bruce	01/11/2022	Unit: mm	
Checked			<b>Kysan Electronics</b>	
Eng Appr.			www.kysanelectronics.com	
Mfg Appr.			info@kysanelectronics.com	
Q. A.				
SKU:			Size :A4	Weight(Kg):
1151211			Scale	