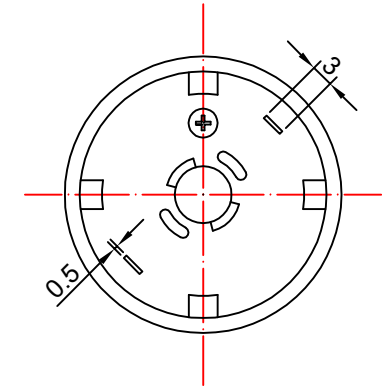
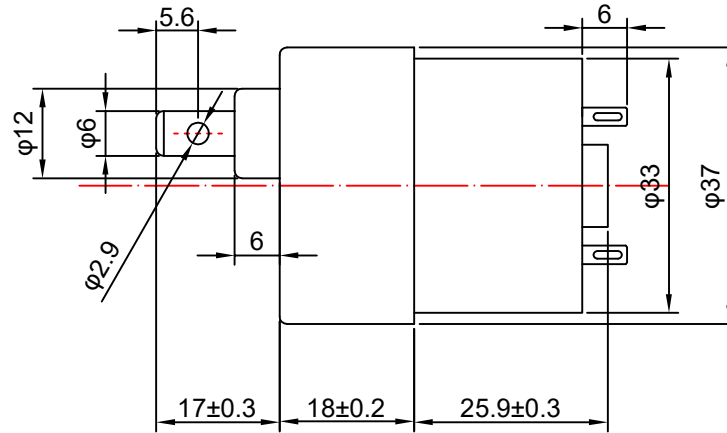
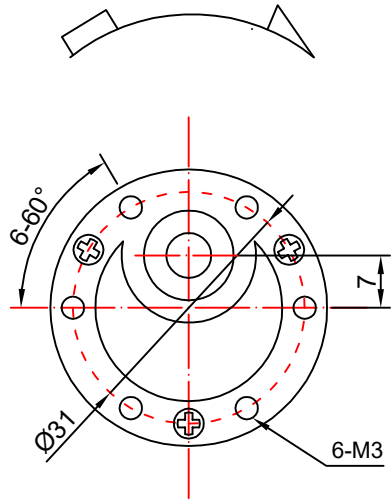


Direction of Rotation

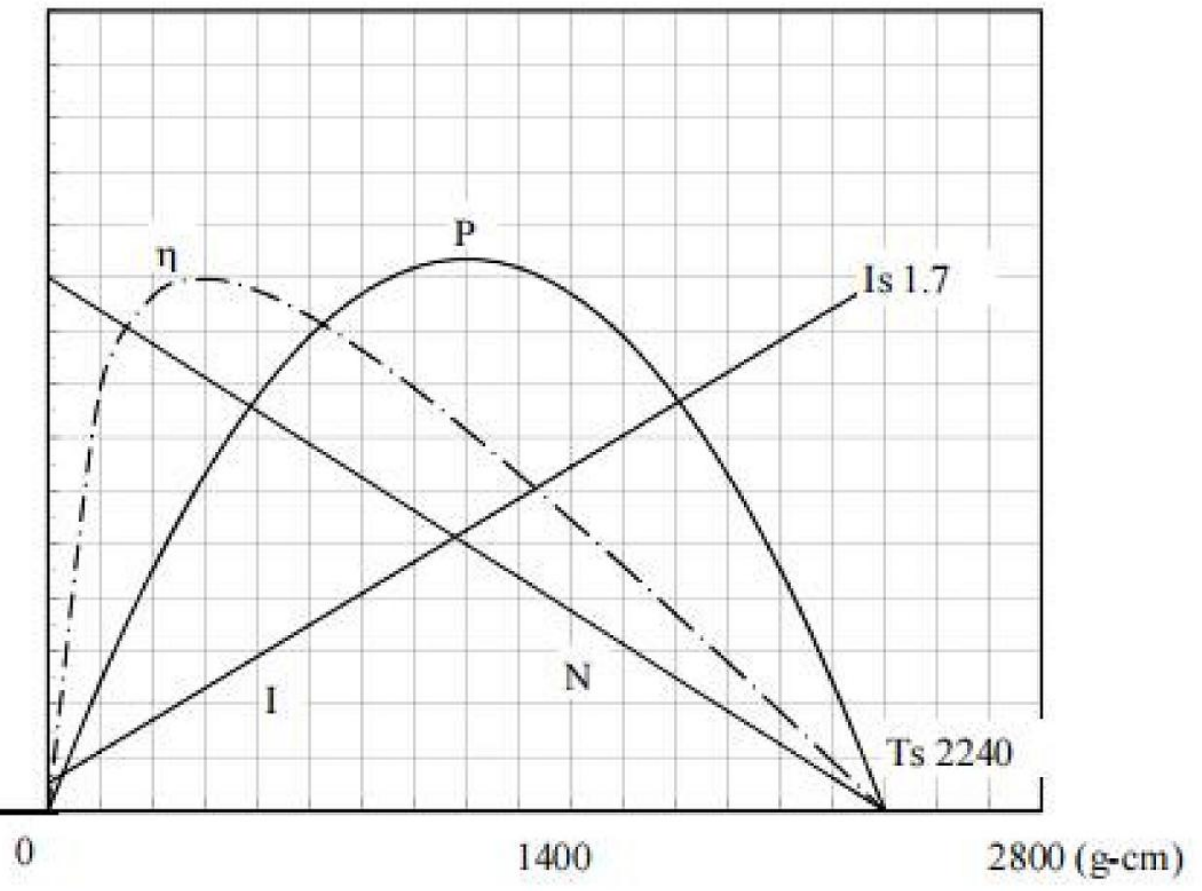


No.	Item	Specification	No.	Item	Specification
1	Rated Voltage	12V DC	7	Gear Ratio	1:10
2	Voltage Range	9-15.0V DC	8	Stall Torque	1904g.cm Min
3	No Load Current	0.13A Max	9		
4	No Load Speed	$720 \pm 10\%$ RPM	10		
5	Rated Load Current	0.387A			
6	Rated Load Speed	$587 \pm 15\%$ RPM			

Drawn	Tony	12/13/2024	Unit: mm		
Checked	Eva	12/13/2024	Kysan Electronics www.kysanelectronics.com		
Eng Appr.					
Mfg Appr.					
Q.A.					
SKU: 1151271			Siae: A4	Weight(Kg):	
			Scale		

η (%)	P (W)	I (A)	N (rpm)
81	6	2.55	1080
54	4	1.7	720
27	2	0.85	360

η -EFFICIENCY (%) P-OUT PUT (W.)



Prepared by

Checked by

Approval
