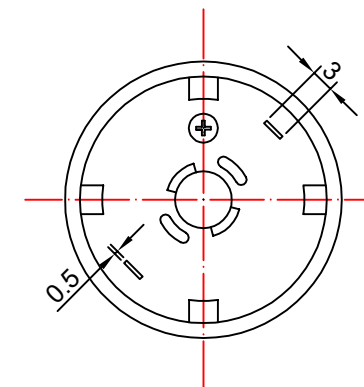
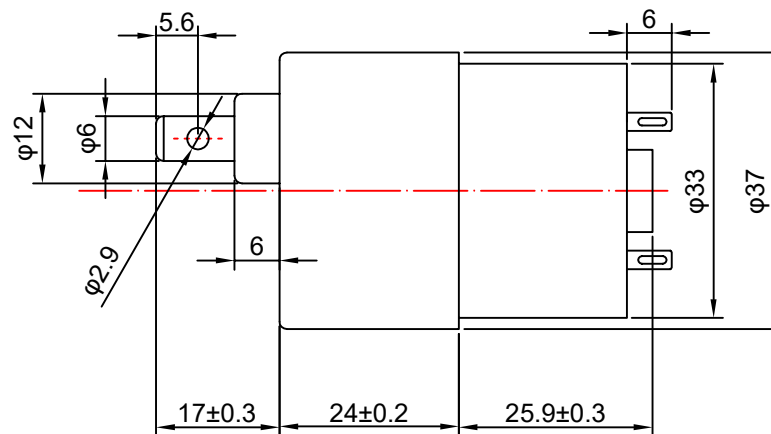
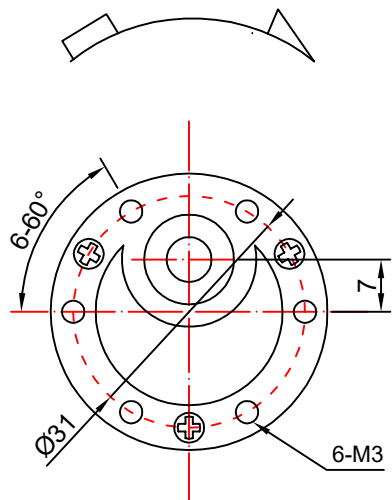


### Direction of Rotation

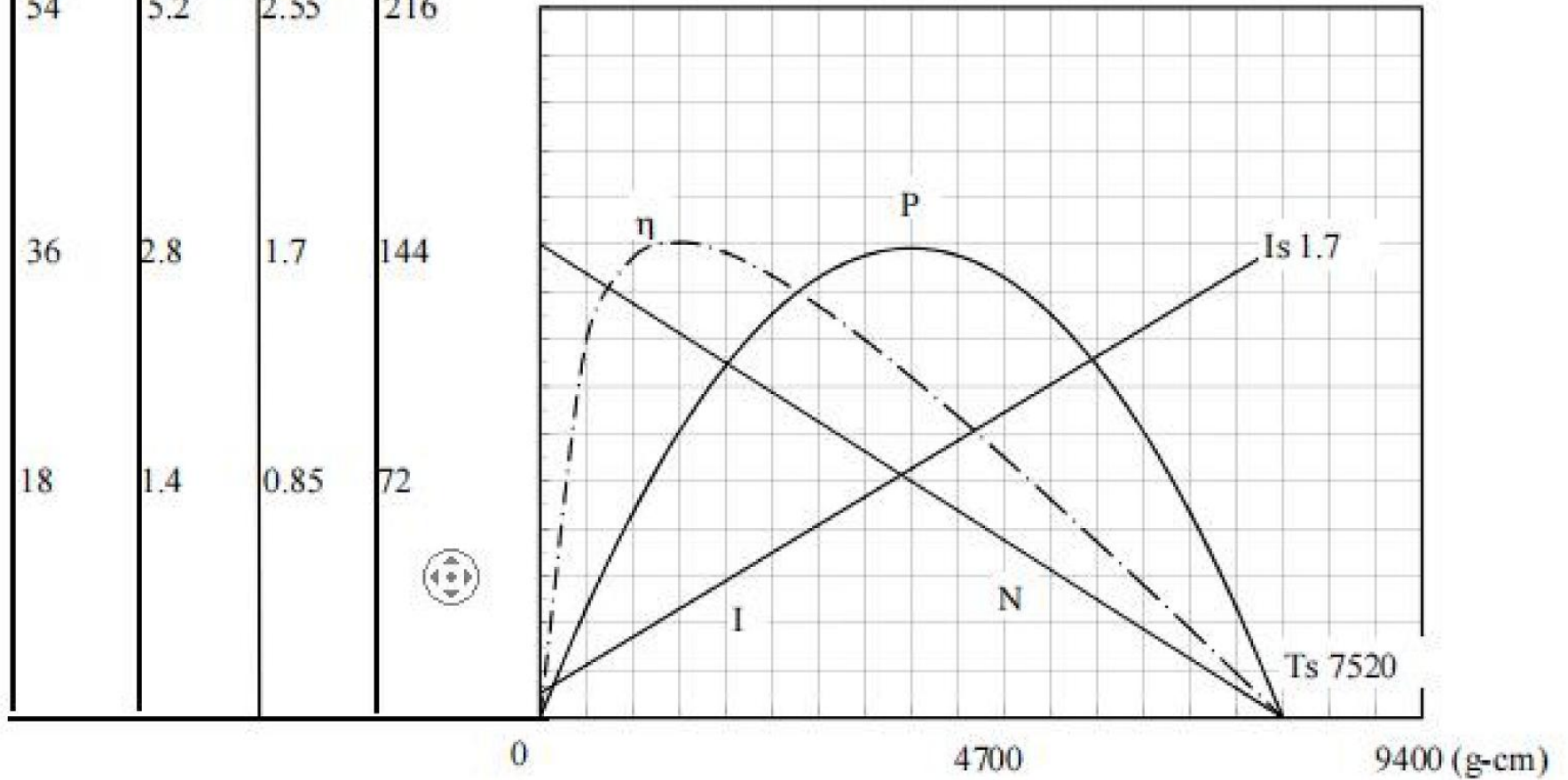


No.	Item	Specification	No.	Item	Specification
1	Rated Voltage	12V DC	7	Gear Ratio	1:50
2	Voltage Range	9-15.0V DC	8	Stall Torque	6392g.cm Min
3	No Load Current	0.13A Max	9		
4	No Load Speed	144±10%RPM	10		
5	Rated Load Current	0.387A			
6	Rated Load Speed	117±15%RPM			

Drawn	Tony	12/13/2024	Unit: mm	
Checked	Eva	12/13/2024	<b>Kysan Electronics</b> <a href="http://www.kysanelectronics.com">www.kysanelectronics.com</a>	
Eng Appr.				
Mfg Appr.				
Q.A.				
<b>SKU:</b> 1151274			Siae: A4 Scale	Weight(Kg):

$\eta$ (%)	P (W)	I (A)	N (rpm)
54	5.2	2.55	216
36	2.8	1.7	144
18	1.4	0.85	72

$\eta$ -EFFICIENCY (%) P-OUT PUT (W.)



Prepared by

Checked by

Approval

\_\_\_\_\_

\_\_\_\_\_

\_\_\_\_\_