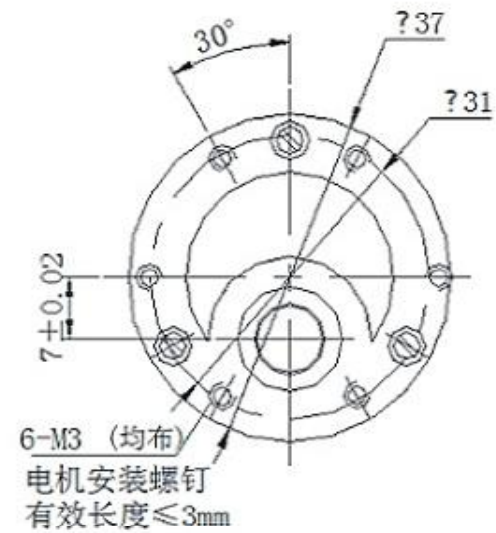
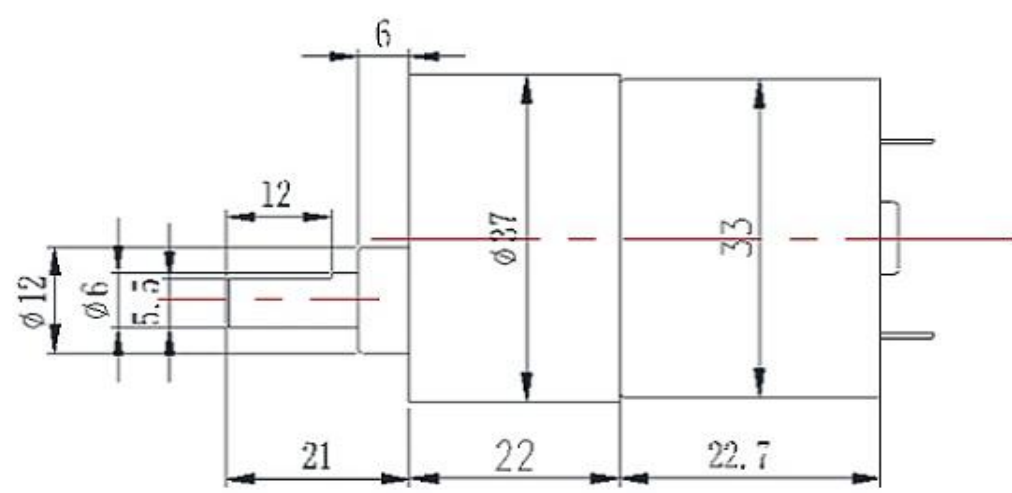


Rev.	Description	Date
01		

SPUR GEARED MOTOR SPECIFICATION



No.	Item	Specification	No.	Item	Specification
1	Rated Voltage	12V DC	7	Stall Current	3.1A
2	No Load Speed	500±10%rpm	8	Stall Torque	3.5kg.cm
3	No Load Current	≤220mA	9	Direction of rotation	CW
4	Rated Speed	390±10%rpm			
5	Rated Current	≤700mA			
6	Rated Torque	700g.cm			

Drawn	Bruce	01/11/2022	Unit: mm	
Checked			Kysan Electronics	
Eng Appr.			www.kysanelectronics.com	
Mfg Appr.			info@kysanelectronics.com	
Q.A.				
SKU:			Size :A4	Weight(Kg):
1151486			Scale	