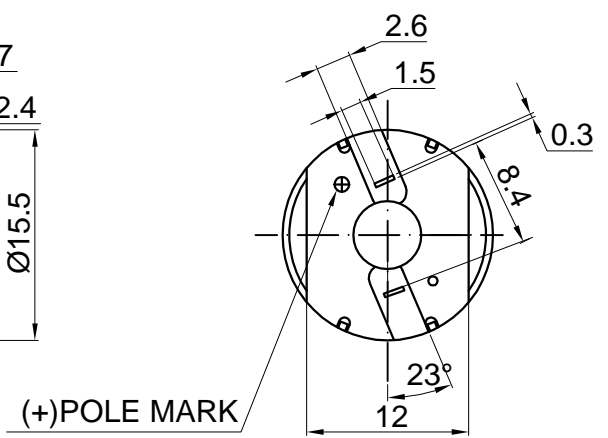
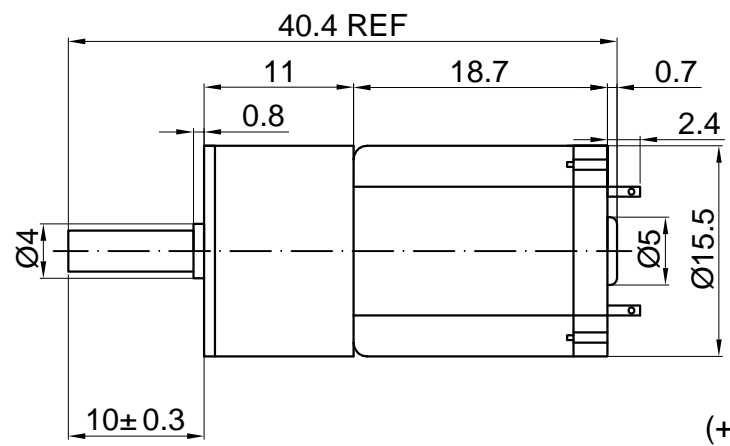
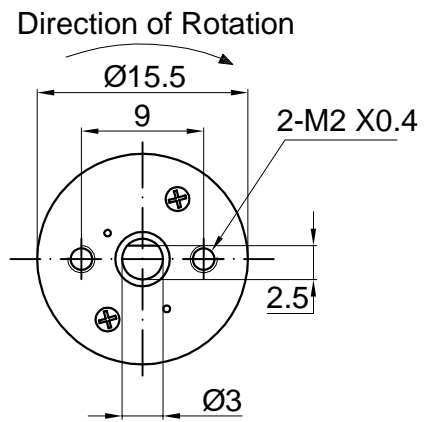


NO.	ITEM	SPECIFICATION
1	Rated Voltage	12 VDC
2	Operation Voltage Range	8~13 VDC
3	Rated Torque	200 g.cm
4	Direction of Rotation	CW
5	No Load Current	90mA max
6	No Load Speed	1160 RPM \pm 15%
7	Rated Current	380 mA max
8	Rated Speed	815 RPM \pm 15%
9	Stall Torque	1 Kg.cm min
10	Stall Current	1200 mA max
11	Gear Ratio	20 : 1
12	Operation Temp Range	-10° ~+60°

Rev.	Revision	Date
01	Update	8/1/2011



DRAWN	Amily	8/1/2011
CHECKED	Sara	8/1/2011
ENG APPR.		
MFG APPR.		
Q.A.		
16GA030-12V1160RPM		

UNIT: mm		
Kysan Electronics		
SIZE A4	Kysan SKU 1151598	REV 01
SCALE: 4:1	Weight(kg): 0.02	SHEET 1 OF 1