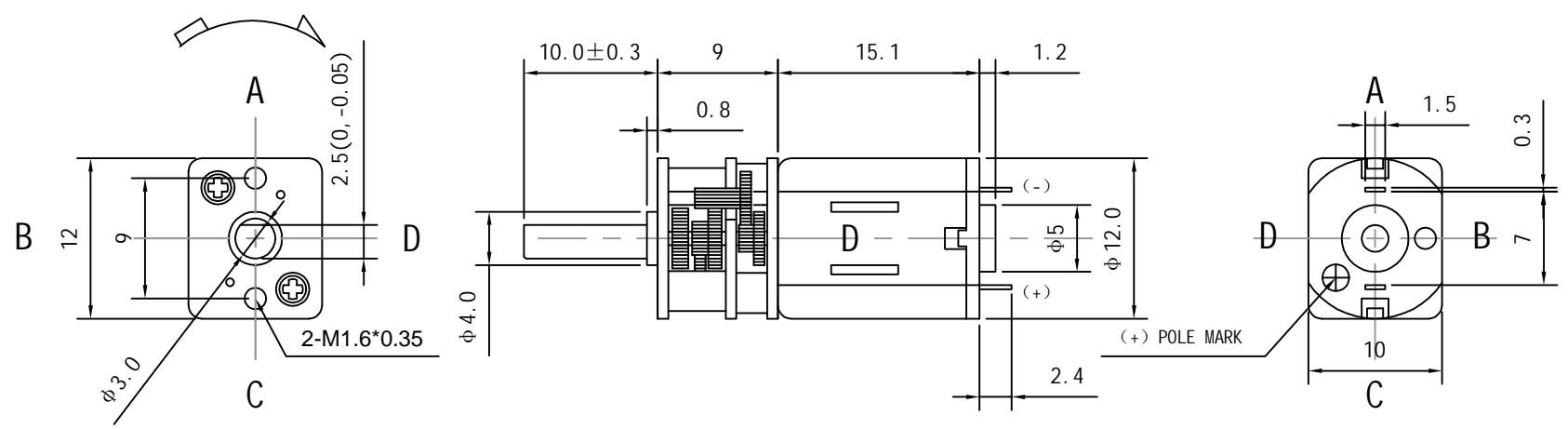


8 7 6 5 4 3 2 1

Direction of Rotation



No.	Item	Specification	No.	Item	Specification
1	Rated Voltage	5V DC	7	Stall Current	700mA Max
2	Rated Load	400g.cm	8	Stall Torque	2000g.cm Min
3	No Load Current	≤60mA	9	Gear Ratio	298:1
4	No Load Speed	60RPM±10%	10	Direction Of Rotation	CCW
5	Rated Load Current	≤120mA	11		
6	Rated Load Speed	52RPM±10%			

Drawn	Bruce	11/23/2023	Unit: mm	
Checked			Kysan Electronics www.kysanelectronics.com	
Eng Appr.				
Mfg Appr.				
Q.A.				
SKU: 1151915			Size :A4	Weight(Kg):
			Scale :	

8 7 6 5 4 3 2 1