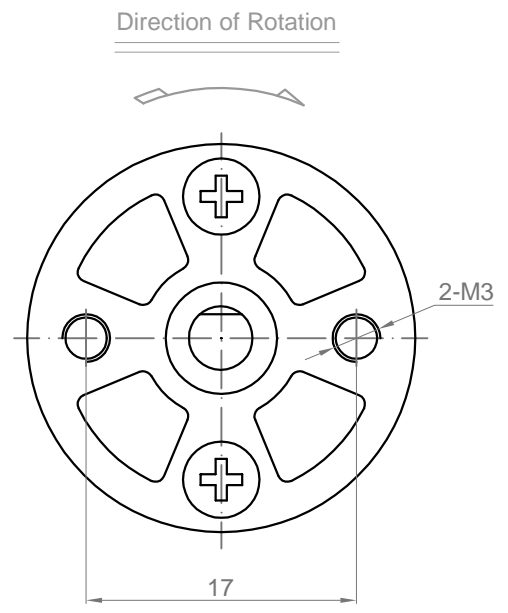
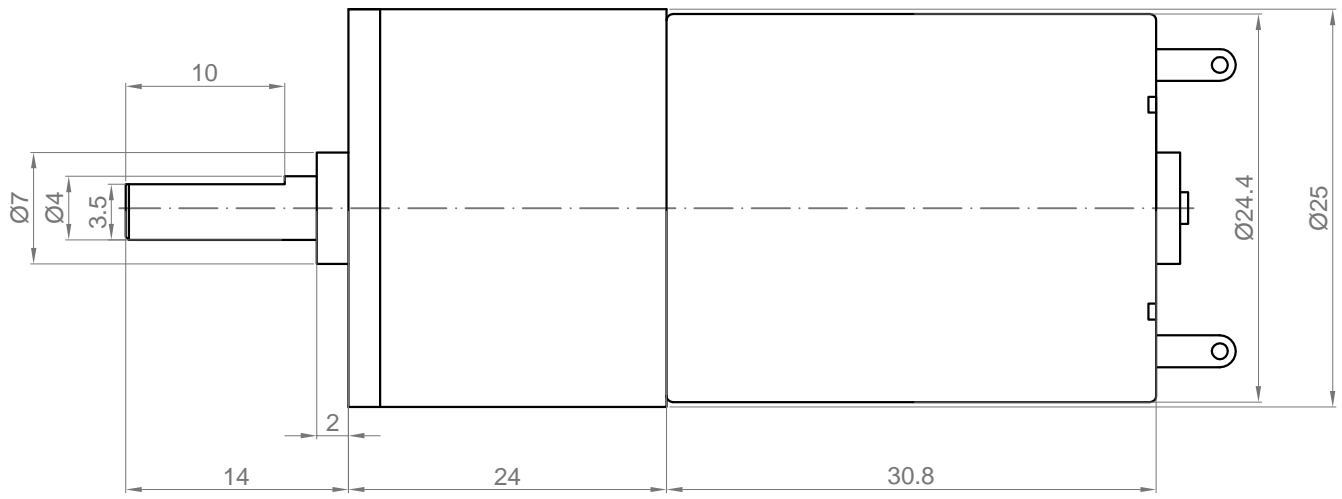


Rev.	Description	Date
01	Release for Production	09/27/2012



NO.	Item	Specification	NO.	Item	Specification
1	Rated Voltage	12 V DC	7	No Load Current	0.17 A
2	Rated Torque	0.324 N.m	8	No Load Speed	30 ± 10%RPM
3	Rated Current	0.329 A max	9	MFG of DC Motor	A25RP-12V30RPM
4	Rated Speed	20 ± 10% RPM	10	Insulation Resistance	1MΩ min/250V
5	Output Power	4 W			
6					

Drawn	Lawrence	01/20/2015	Kysan Electronics www.kysanelectronics.com info@kysanelectronics.com		
Checked					
Eng Appr.					
Mfg Appr.					
Q.A.					
SKU	1153017		Size : A4	Weight(Kg): 0.5	Unit: mm
			Scale: 5:1		Sheet 1of 1