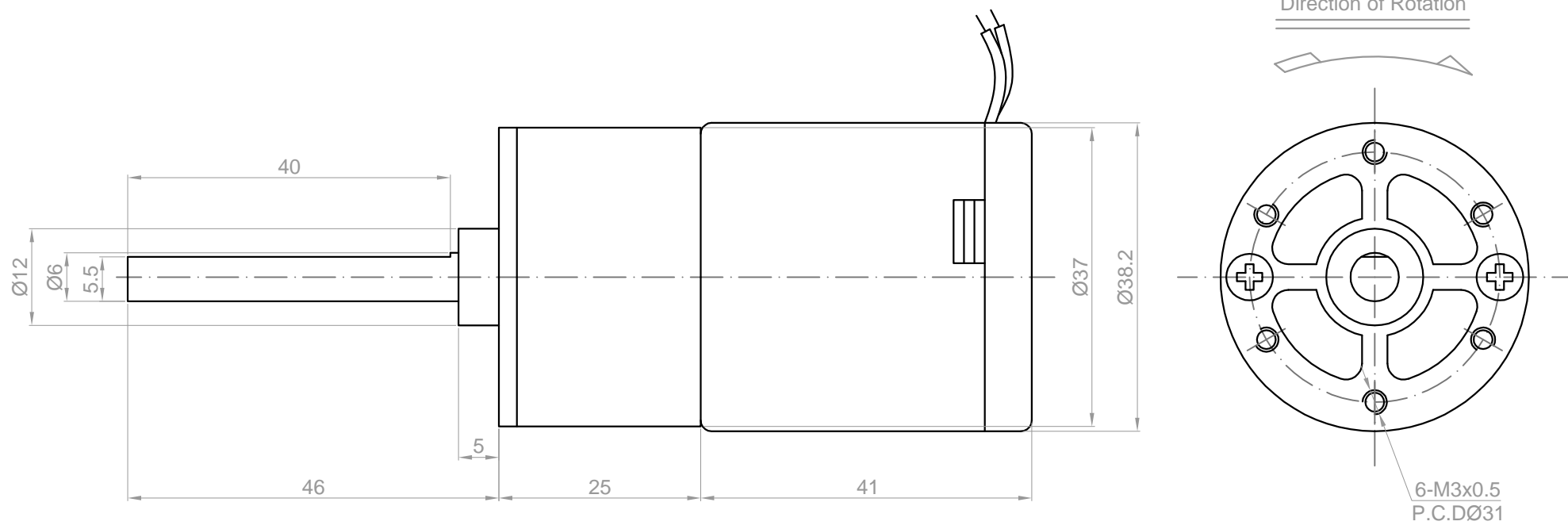


Rev.	Description	Date
01	Release for Production	07/24/2012



NO.	Item	Specification	NO.	Item	Specification
1	Rated Voltage	24 V	7	Max Efficiency Torque	1.5 Kg.cm
2	No Load Current	0.039 A	8	Stall Current	0.42 A
3	No Load Speed	100 RPM	9	Stall Torque	4.2 Kg.cm
4	Gear Ratio	1/32	10	Motor Type	380
5	Max Efficiency Speed	80 RPM	11	Motor Speed	24V 3000RPM
6	Max Efficiency Current	0.17 A	12	Output Shaft Length	Flat $\varnothing 6 \times 41(5.5 \times 40)$

Drawn	L	07/19/2015	<b>Kysan Electronics</b> <a href="http://www.kysanelectronics.com">www.kysanelectronics.com</a> <a href="mailto:info@kysanelectronics.com">info@kysanelectronics.com</a>		
Checked					
Eng Appr.					
Mfg Appr.					
Q.A.					
SKU	1156009		Size : A4	Weight(Kg):0.5	Unit: mm
			Scale: 3:1		Sheet 1of 1