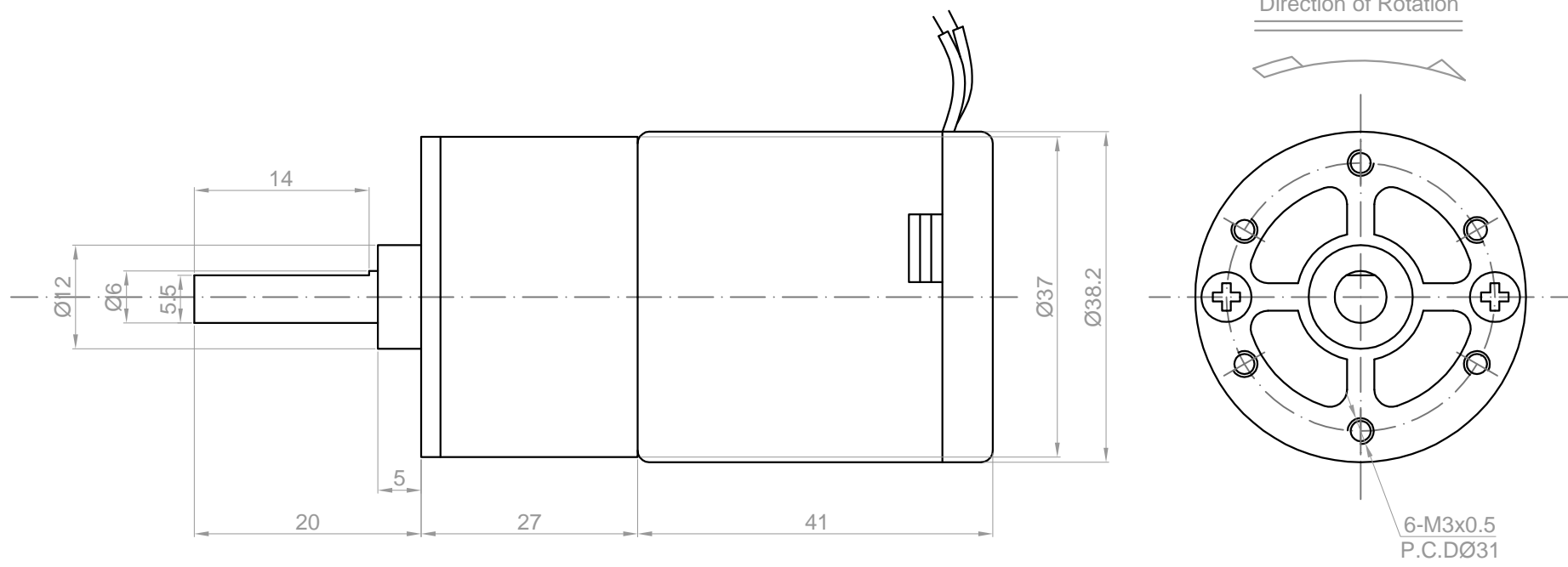


Rev.	Description	Date
01	Release for Production	07/24/2012



NO.	Item	Specification	NO.	Item	Specification
1	Rated Voltage	24 V	7	Max Efficiency Torque	10.2 Kg.cm
2	No Load Speed	39 RPM	8		
3	Gear Ratio	1/77	9		
4	Max Efficiency Speed	30 RPM	10		
5	Max Efficiency Current	0.4 A	11		
6			12		

Drawn	L	07/19/2015	Kysan Electronics www.kysanelectronics.com info@kysanelectronics.com		
Checked					
Eng Appr.					
Mfg Appr.					
Q.A.			Size : A4	Weight(Kg):0.5	Unit: mm
SKU	1156043		Scale: 3:1		Sheet 1of 1