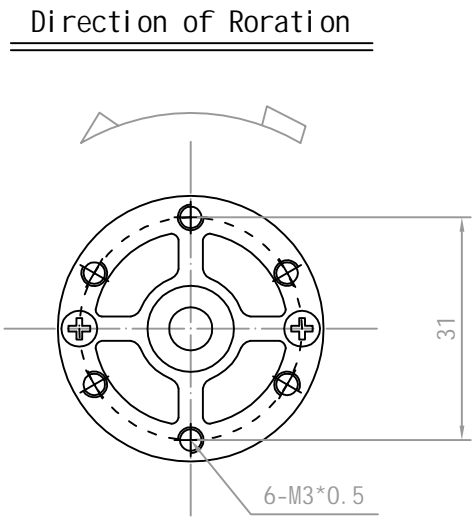
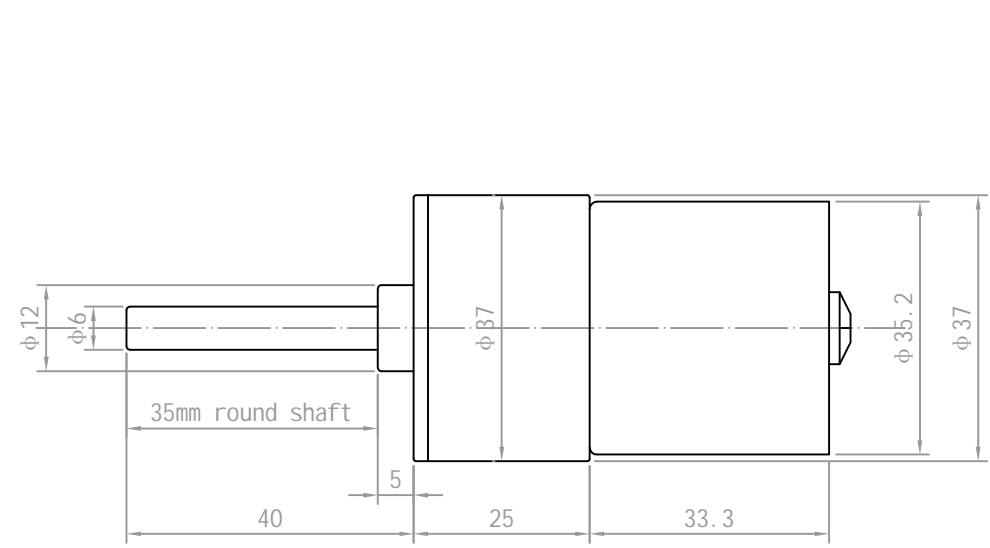


Rev.	Description	Date
01		



No.	Item	Specification	No.	Item	Specification
1	Rated Voltage	12V DC	7	Maximum Efficiency Torque	1.85 kg. cm
2	No Load Current	0.283 A	8	Direction of Rotation	CCW
3	No Load Speed	130RPM			
4	Gear Ratio	40: 1			
5	Maximum Efficiency Speed	97RPM			
6	Maximum Efficiency Current	0.528A			

Drawn	Bruce	10/26/2016	Unit: mm	
Checked			Kysan Electronics	
Eng Appr.			www.kysanelectronics.com	
Mfg Appr.			info@kysanelectronics.com	
Q. A.				
SKU:			Size :A4	Weight (Kg):
1156301			Scale 1: 1	