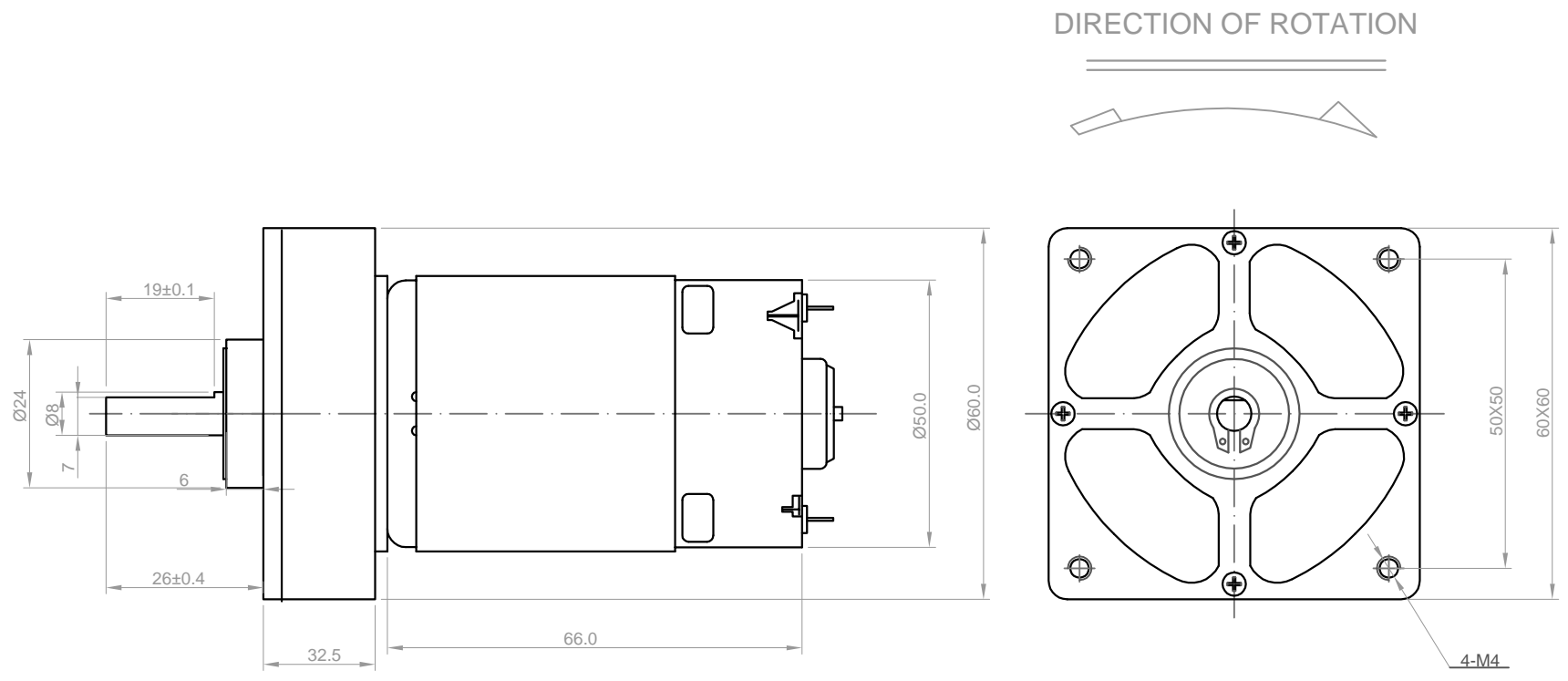


Rev.	Description	Date
00		07/17/2014



Environment Temp: 20°C-50°C
 Environment Humi: 30%-80%RH Without Condensation

NO.	Item	Specification	NO.	Item	Specification
1	Rated Voltage	24VDC	7	Rated Current	1.57A Max
2	No Load Current	0.68A Max	8	Rotating direction	CW
3	No Load Speed	45±10% RPM	9	Output	19W
4	Insulation Resistance	10MΩ min/500V	10	Stall Current	8.6A
5	Rated Speed	39±10% RPM	11	Stall Torque	11.94N·m
6	Rated Torque	1.99N·M			

Drawn	Lawrence	08/27/2014	Unit: mm	
Checked	Lawrence	08/27/2014		
Eng Appr.			Kysane Electronics www.kysanelectronics.com info@kysanelectronics.com	
Mfg Appr.				
Q.A.				
SKU	1158005		Size :A4	Weight(Kg):
			Scale 1:1	