

Drawing NO.

SC3V (53KA) 4009 008

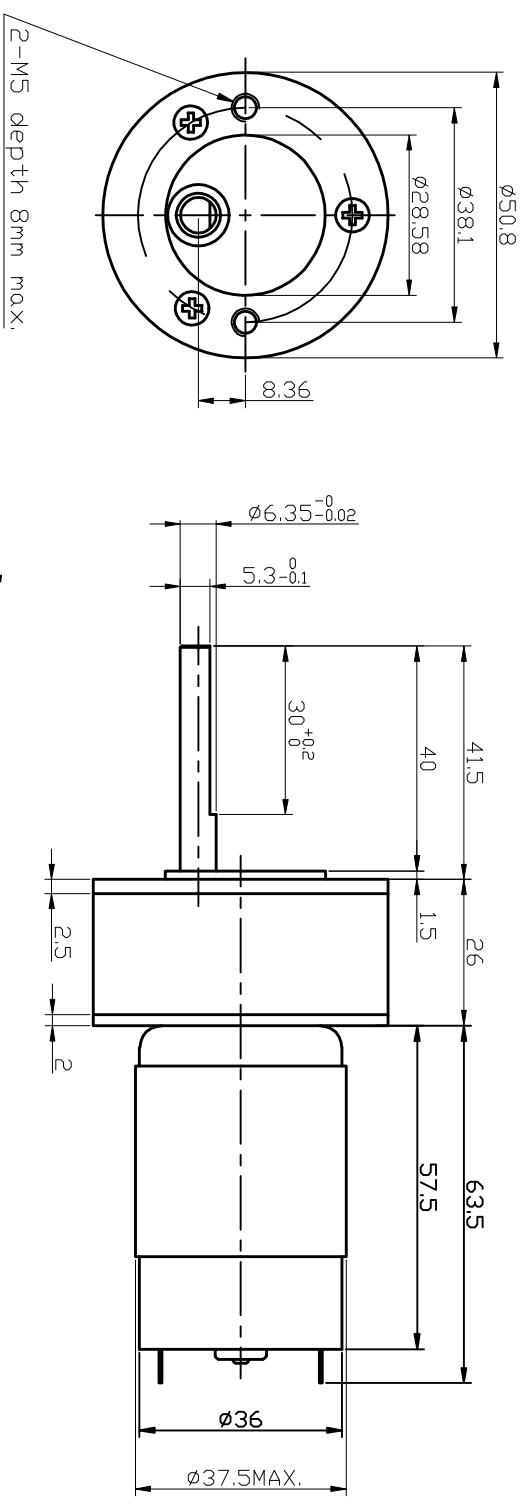
Model No.

KG50M55:23500 53K

Voltage

12

Figure:



Details:

Geared motor specification:		motor specification:	
No Load Current (mA):	< 300	No Load Current (mA):	
No Load Speed (r. p. m.):	66 ± 6.6	No Load Speed (r. p. m.):	
Rated Load Torque (kgf·cm):	10	Rated Load Torque (gf·cm):	
Rated Current (mA):	< 1300	Rated Current (mA):	
Rated Load Speed (r. p. m.):	50 ± 5	Rated Load Speed (r. p. m.):	
Stall Current (A):		Stall Current (mA):	
Stall Torque (Kgf·cm):		Stall Torque (N. m):	
Rotation Direction:		Rotation Direction:	
		Rotation Direction:	

Remarks:

Draw:		Rev:		App.:	
-------	--	------	--	-------	--