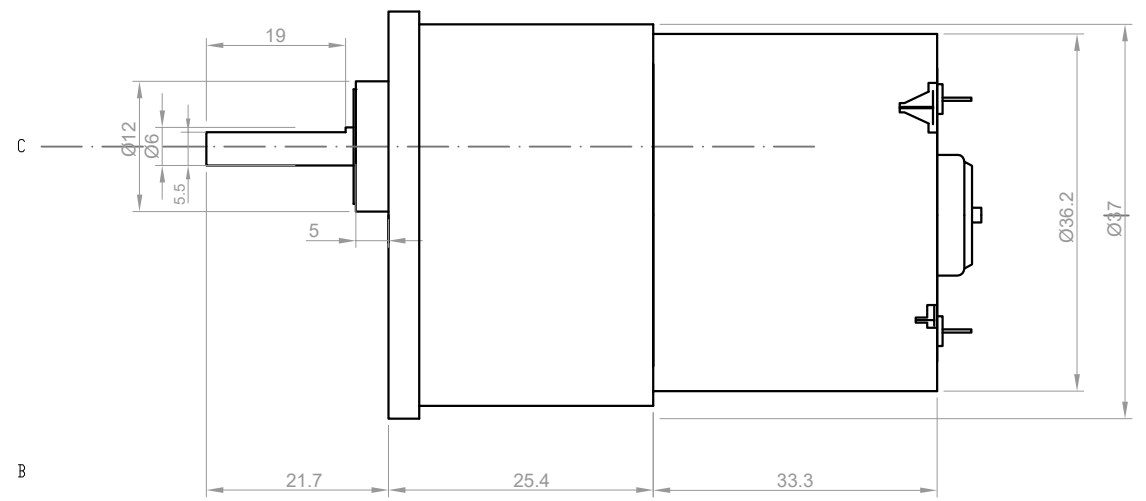
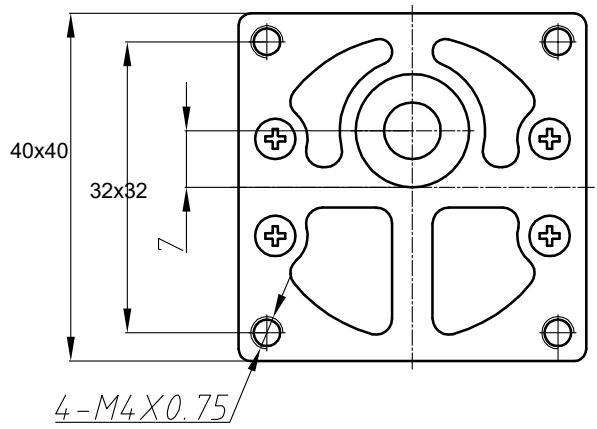
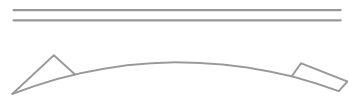


Rev.	Description	Date
01	Release for Production	07/24/2012

DIRECTION OF ROTATION



NO.	Item	Specification	NO.	Item	Specification
1	Rated Voltage	24VDC			
2	No Load Speed	250 RPM			
3	Max Efficiency Speed	190 RPM			
4	Max Efficiency Torque	0.132NM			

Drawn	L	04/06/2016	Kysan Electronics www.kysanelectronics.com info@kysanelectronics.com		
Checked					
Eng Appr.					
Mfg Appr.					
Q.A.					
SKU	1159088		Size : A4	Weight(Kg):0.5	Unit: mm
			Scale: 3:1		Sheet 1of 1