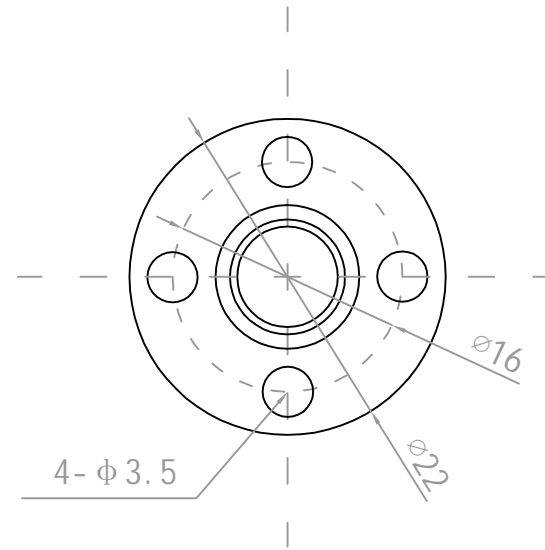
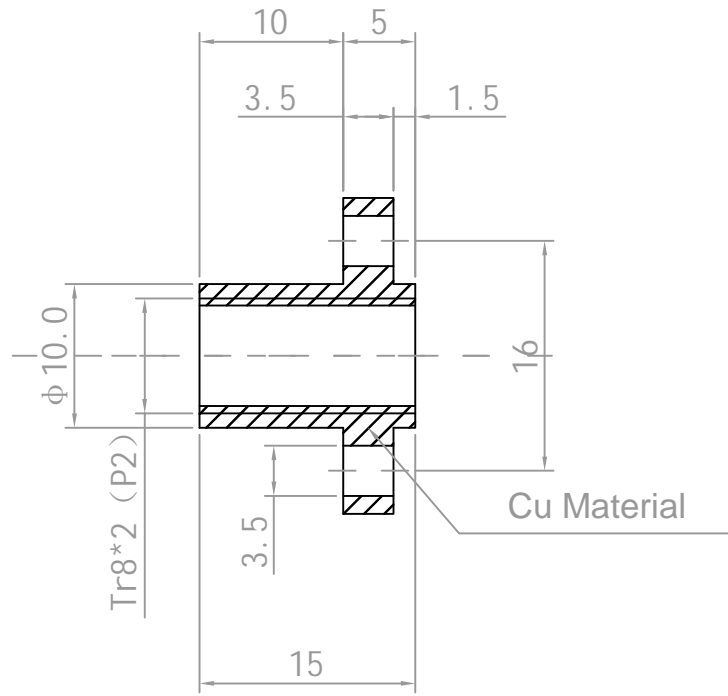


Rev.	Description	Date
01		



Drawn	Bruce	10/26/2017	Unit: mm Kysan Electronics www.kysanelectronics.com info@kysanelectronics.com	
Checked	Tony	10/26/2017		
Eng Appr.				
Mfg Appr.				
Q.A.				
SKU: 1160019			Size :A4 Scale 2:1	Weight(g) :