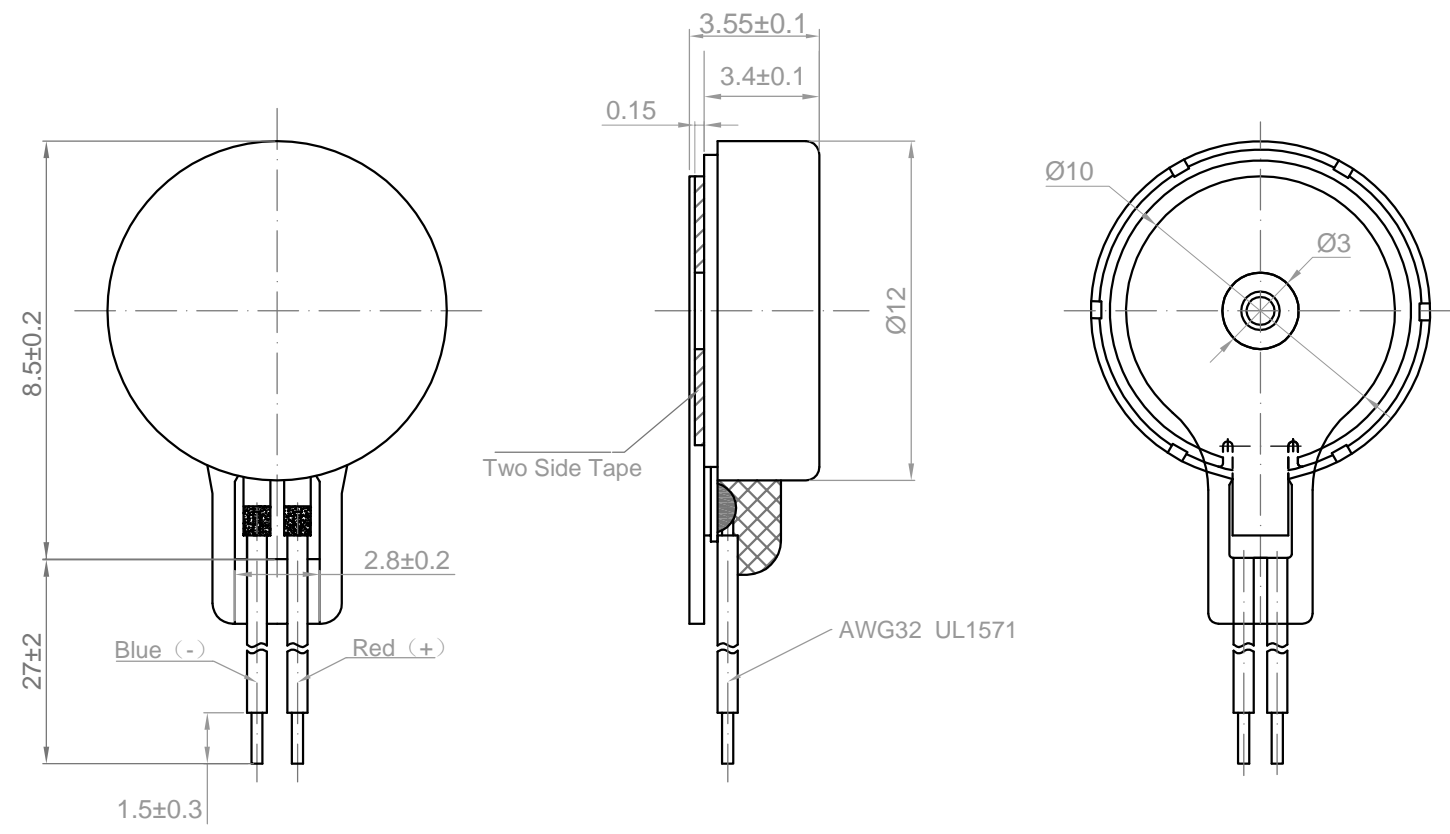


Rev.	Description	Date
01	Release for Production	09/04/2012



NO.	Item	Specification	NO.	Item	Specification
1	Rate Voltage	3 VDC			
2	Rate Current	85 mA Max			
3	Rate Speed	9000 \pm 15% RPM			
4	Starting Voltage	2.3 V Max			
5	Insulation Resistance	10M Ω Min			
6					

Drawn	Lawrence	03/03/2016	Kysan Electronics www.kysanelectronics.com info@kysanelectronics.com		
Checked					
Eng Appr.					
Mfg Appr.					
Q.A.					
SKU	1161031		Size : A4	Weight(Kg):	Unit: mm
			Scale: 10:1		