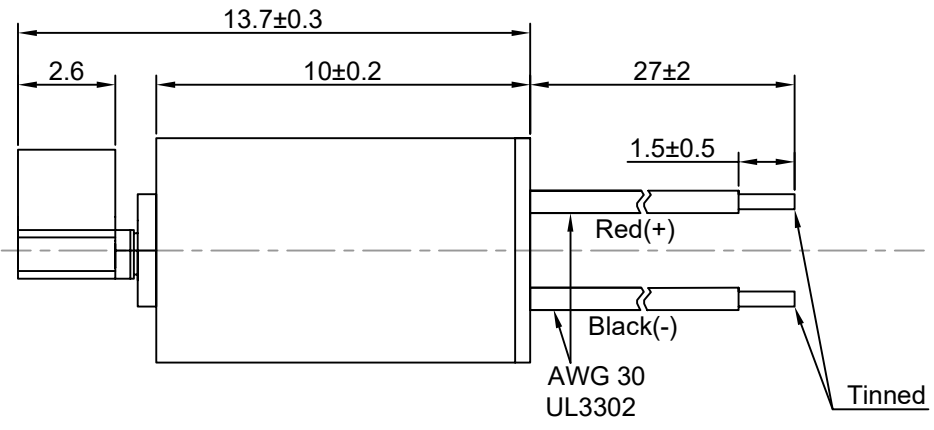
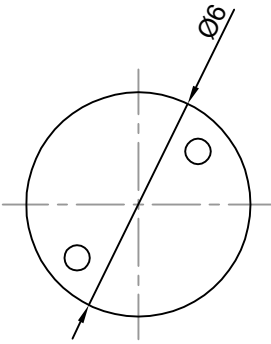


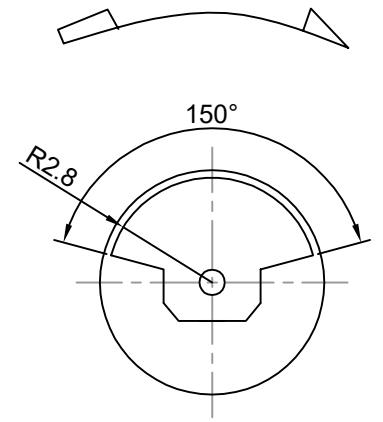
8 7 6 5 4 3 2 1

D

D



Direction Of Rotation



C

C

B

B

No.	Item	Specification	No.	Item	Specification
1	Rated Voltage	1.3V DC	7	Stall Current	145mA Max
2	Voltage Range	0.9-1.6V DC	8	Start Voltage	0.75V Max
3	Terminal Resistance	11 ohm ±20%	9		
4	Shaft end play	0.1-0.3mm	10		
5	Rated Current	80mA Max			
6	Rated Speed	9000±2000RPM			

Drawn	Tony	08/21/2024	Unit: mm		
Checked	Eva	08/21/2024	Kysan Electronics www.kysanelectronics.com		
Eng Appr.					
Mfg Appr.					
Q.A.					
SKU:			Siae: A4	Weight(Kg):	
1162011			Scale		

A

A

8 7 6 5 4 3 2 1