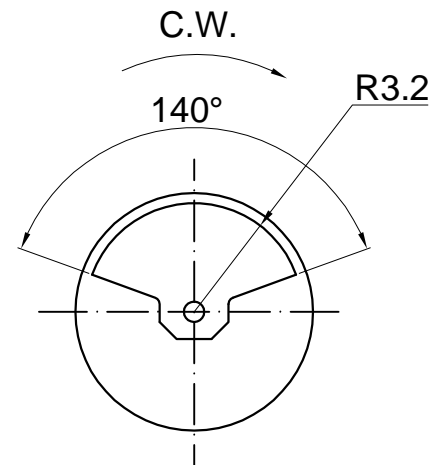
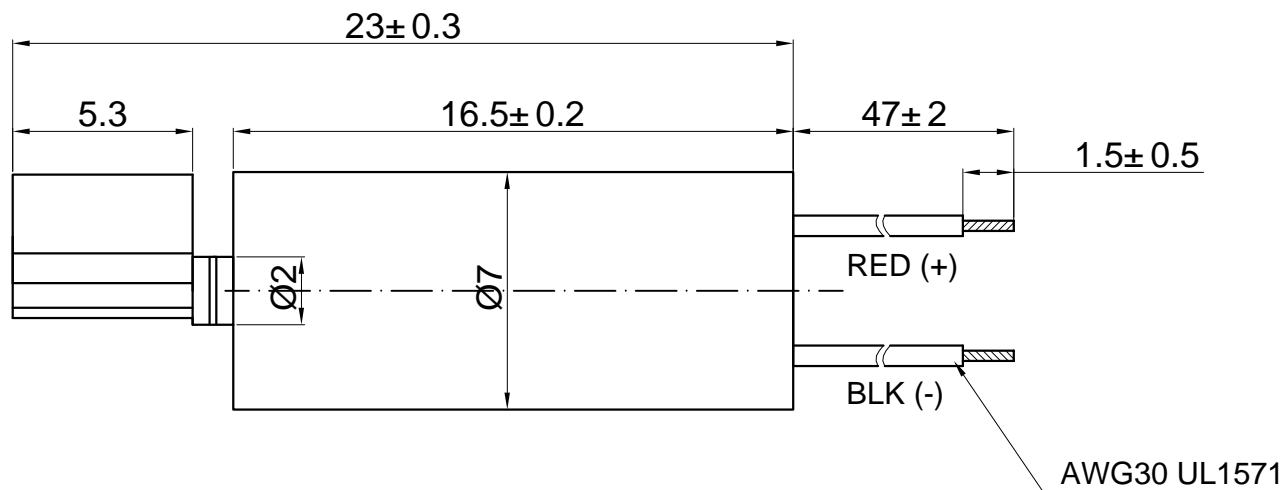


NO.	ITEM	SPECIFICATION
1	Rated Voltage	3 V
2	Rated Current	250 mA Max
3	Rated Speed	12000±2500 RPM
4	Stall Current	680 mA Max
5	Terminal Resistance	5.5±20% Ω
6	Starting Voltage	1.7 V Max

Rev.	Revision	Date
01	Update	8/25/2011



DRAWN	Amily	8/25/2011
CHECKED	Sara	8/25/2011
ENG APPR.		
MFG APPR.		
Q.A.		

UNIT: mm

Kysan Electronics

SKU
1162031

SIZE
A4

Email to
Info@kysanelectronics.com

REV
01

SCALE: 10:1

Weight(kg):

SHEET 1 OF 1