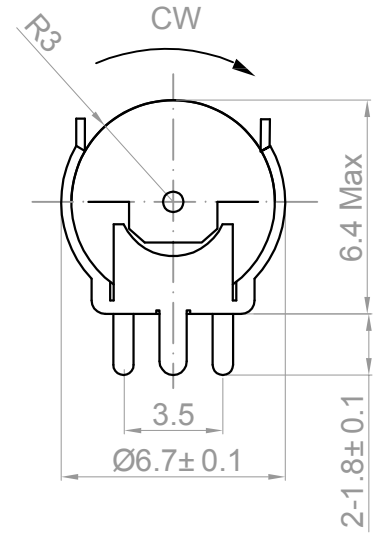
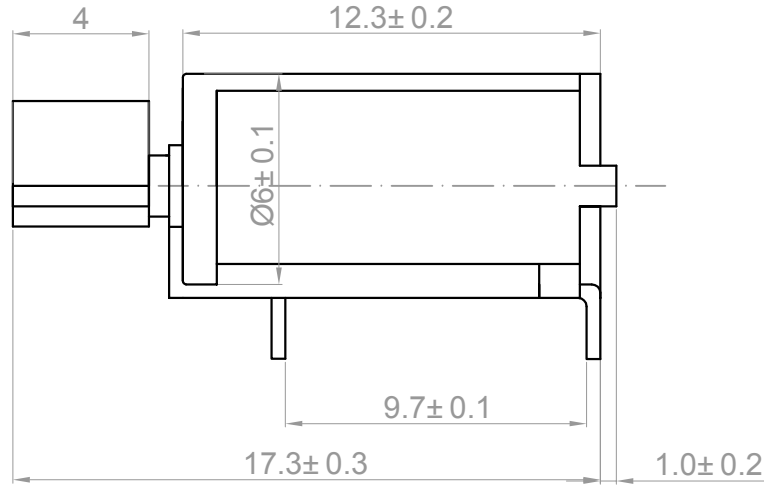
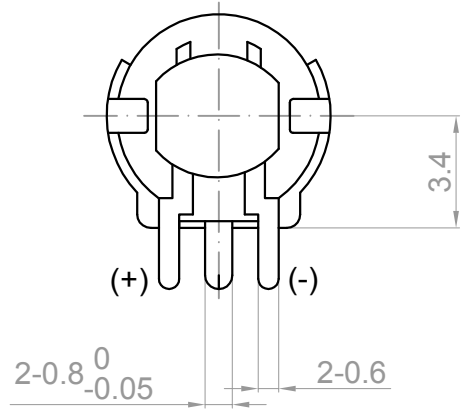


Rev.	Revision	Date
01	Update	11/17/2011



Rated Voltage : 1.3 VDC
 Operating Voltage : 0.9~1.6 VDC
 Rated Speed : 7500± 1500RPM
 Rated Current : 120 mA MAX
 Stall Current : 160 mA MAX
 Terminal Resistance : 8.5± 10% Ω

DRAWN	Amily	11/17/2011	UNIT: mm	
CHECKED	Sara	11/17/2011	Kysan Electronics	
ENG APPR.				
MFG APPR.				
Q.A.				
SKU			SIZE	Email
1162032			A4	info@kysanelectronics.com
			REV	01
SCALE: 10:1		Weight(kg): 0.05	SHEET 1 OF 1	