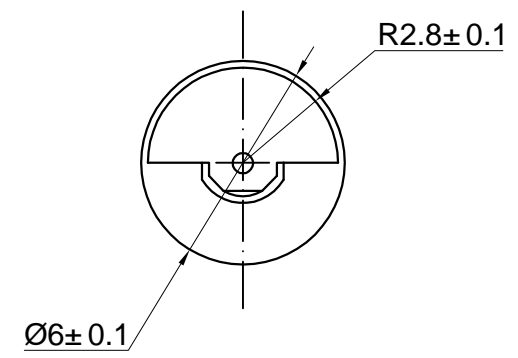
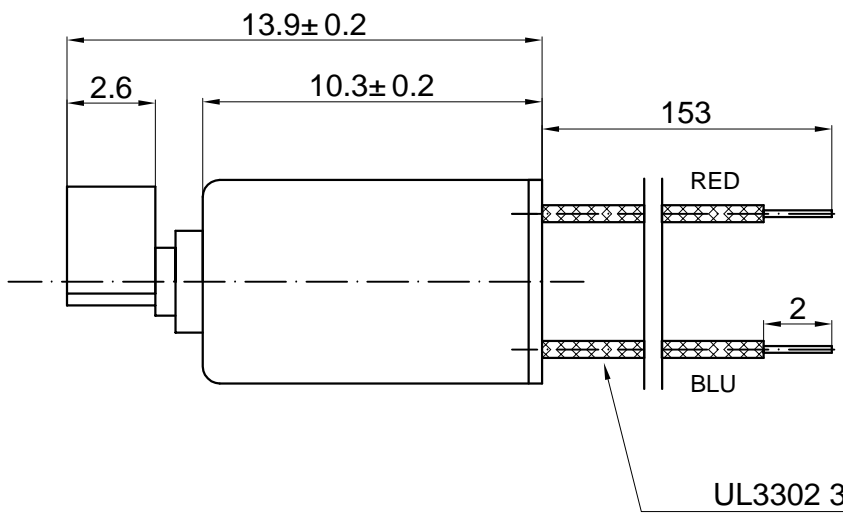


NO.	ITEM	SPECIFICATION
1	Rated Voltage	3 VDC
2	Rated Current	80 mA Max
3	Operating Voltage	2.4~3.6 VDC
4	Rated Speed	11000± 2000 RPM
5	Stall Current	110 mA Max
6	Size	6 x 14 mm
7	Vibrator Size	R2.8 x 2.6 mm
8	Resistance	29± 10% Ω

Rev.	Revision	Date
01	Update	6/21/2011



DRAWN	Amily	6/21/2011
CHECKED	Sara	6/21/2011
ENG APPR.		
MFG APPR.		
Q.A.		

UNIT: mm		
Sinotech		
SIZE A4	P/N	REV 01
SCALE: 10:1	Weight(kg): 0.2	SHEET 1 OF 1

6ZK083