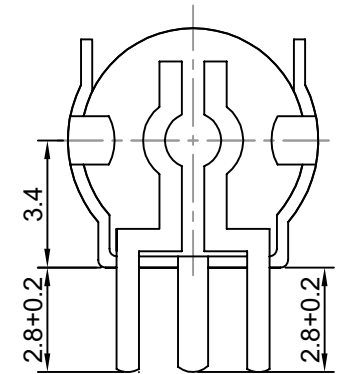
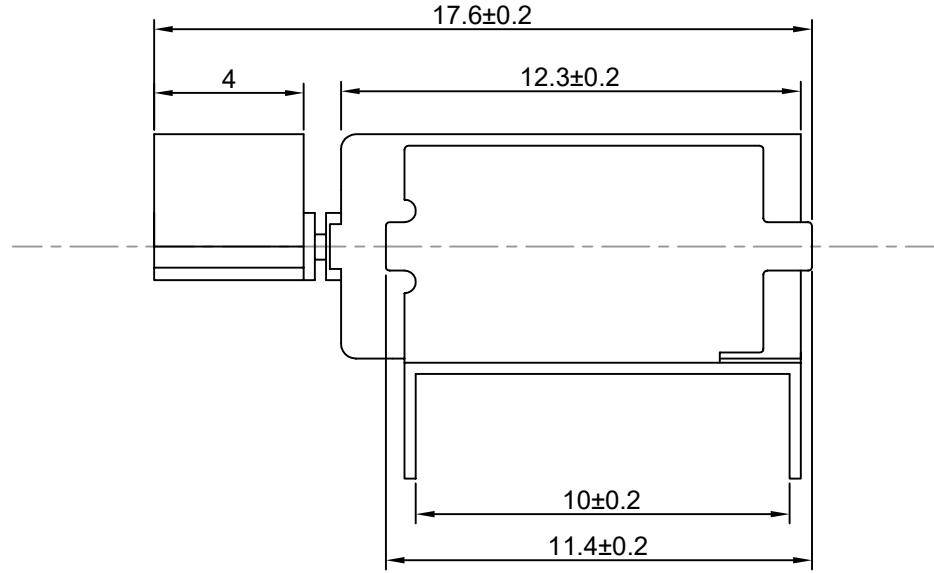
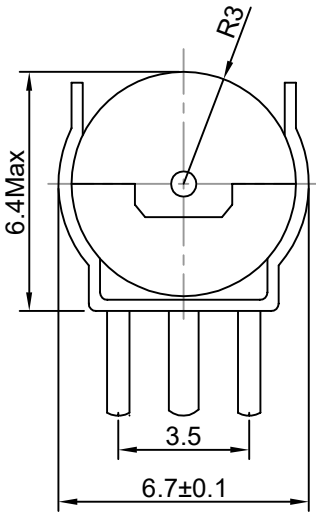


8 7 6 5 4 3 2 1

D

Direction Of Rotation



D

C

C

B

B

No.	Item	Specification	No.	Item	Specification
1	Rated Voltage	1.3V DC	7	Stall Current	160mA Max
2	Voltage Range	0.9-4.5V DC	8	Start Voltage	0.8V Max
3	Terminal Resistance	3.6 ±0.3 ohm	9		
4	Shaft end play	0.05-0.2mm	10		
5	Rated Current	120mA Max			
6	Rated Speed	7500±1500RPM			

Drawn	Tony	09/03/2024	Unit: mm		
Checked	Eva	09/03/2024	Kysan Electronics www.kysanelectronics.com		
Eng Appr.					
Mfg Appr.					
Q.A.					
SKU:			Siae: A4	Weight(Kg):	
1162080			Scale		

A

A

8 7 6 5 4 3 2 1