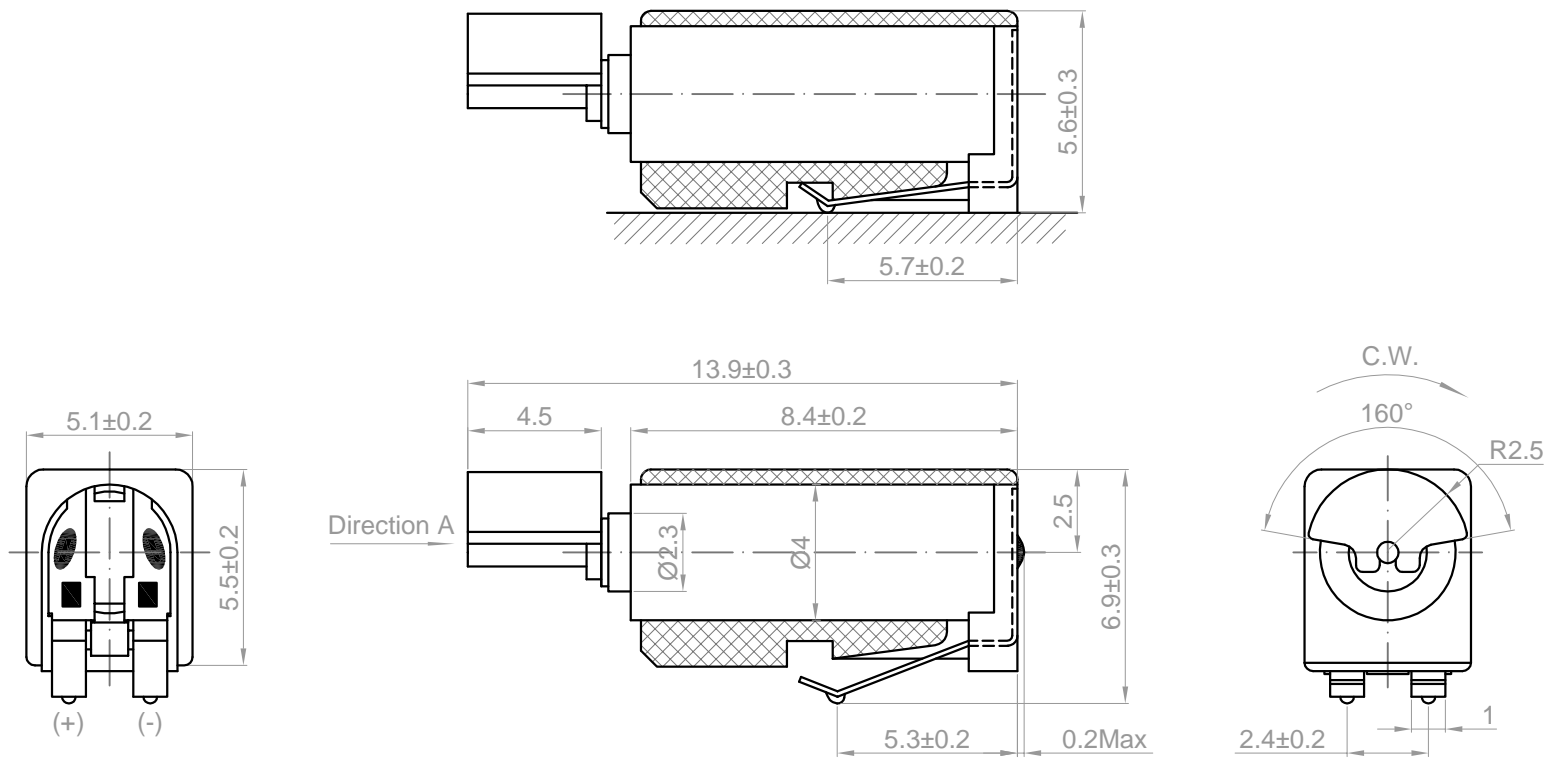


Rev.	Description	Date
01	Release for Production	08/06/2012



NO.	Item	Specification	NO.	Item	Specification
1	Rated Voltage	3.0 V DC	7	Insulation Resistance	1 MΩ Min<100VDC>
2	Rated Current	80 mA Max	8	Operating Voltage	2.2~3.6 V DC
3	Rated Speed	8000±2000 RPM	9	Operating Environment	-30~70 °C ,65±20%RH
4	Stall Current	95 mA Max	10	Shaft End Play	0.05~0.2 mm
5	Terminal Resistance	40 Ω±20% <20 °C>			
6	Starting Voltage	2.0 V DC Max			

Drawn	Feny	08/06/2012
Checked	Sara	08/06/2012
Eng Appr.		
Mfg Appr.		
Q.A.		
SKU	1162095	

Kysan Electronics
www.kysanelectronics.com

info@kysanelectronics.com

Size : A4	Weight(Kg):	Unit: mm
Scale: 10:1		Sheet 1 of 1

8 7 6 5 4 3 2 1

8 7 6 5 4 3 2 1