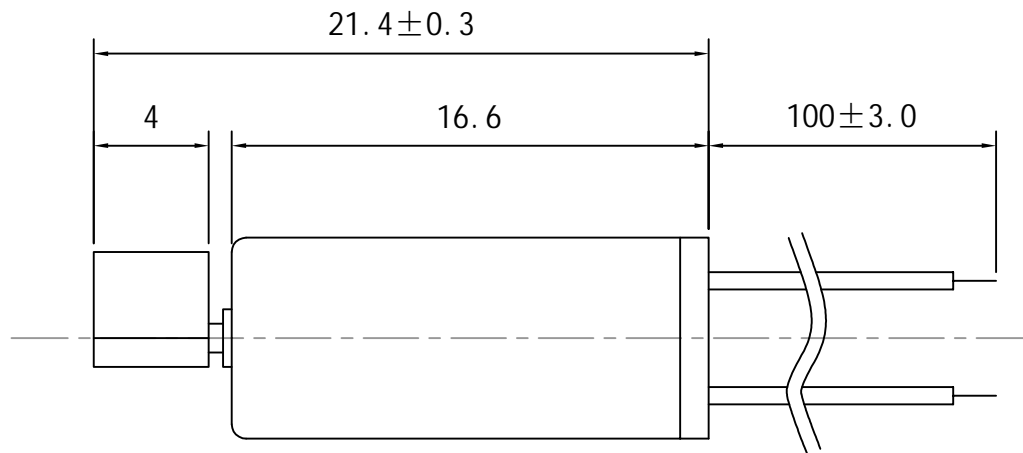
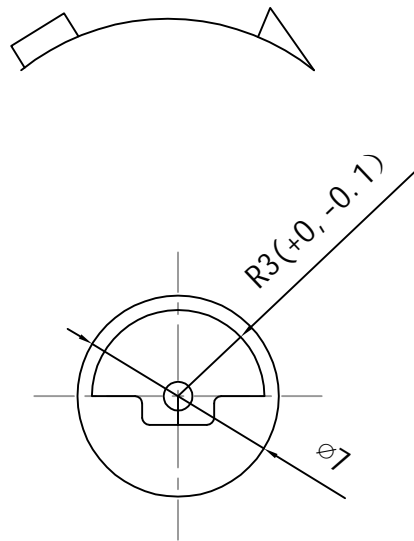


Direction of Rotation



No.	Item	Specification	No.	Item	Specification
1	Rated Voltage	3.0V DC	7	Terminal Resistance	28.5±0.3%
2	Starting Voltage	0.8V DC	8	Direction of Rotation	CW
3	Rated Load	Vibration Weight R3*4	9		
4	Rated Load Current	≤50mA	10		
5	Rated Load Speed	8000±1000RPM	11		
6	Stall Current	≤120mA			

Drawn	Bruce	04/23/2023	Unit: mm		
Checked	Eva	04/23/2023	Kysan Electronics www.kysanelectronics.com		
Eng Appr.					
Mfg Appr.					
Q.A.					
SKU: 1162113			Size :A4	Weight(Kg):	
			Scale :		